



Call For Assistance Kit

6538-G5

FEATURES

- > Double pole single throw switch
- > High intensity strobe
- > Neutral white color
- > Fits single gang box

AGENCY APPROVALS

- > Transformer and horn/strobe UL Listed
- > Horn/strobe UL 1638 Listed

SPECIFICATIONS

- > Transformer primary: 120V AC; secondary: 24V AC
- > Horn/strobe current draw: 175 mA at 24V 50/60 Hz and 125 mA at 24V DC
- > Strobe output: 50 cd on-axis

The Edwards 6538-G5 Call For Assistance system is designed for areas where a call-for-help or an emergency switch is required. The kit consists of a Cat. No. 6536-G5 horn/strobe for audible and visual signaling, a Cat. No. 6537 emergency pull cord station, and a Cat. No. 592 transformer. Each component may also be ordered individually. See the applicable component catalog page for a detailed description of that component.

Use in public and private rest rooms.

6536-G5 Horn/Strobe

The Cat. No. 6536-G5 Horn/Strobe is designed for use in a single gang 2" (51mm) x 4" (102) box located over the door. Each unit contains an audible horn signal which generates an 82 dBA sound pressure level at 10 ft. and a high intensity strobe. See page 14-9.

592 Transformer

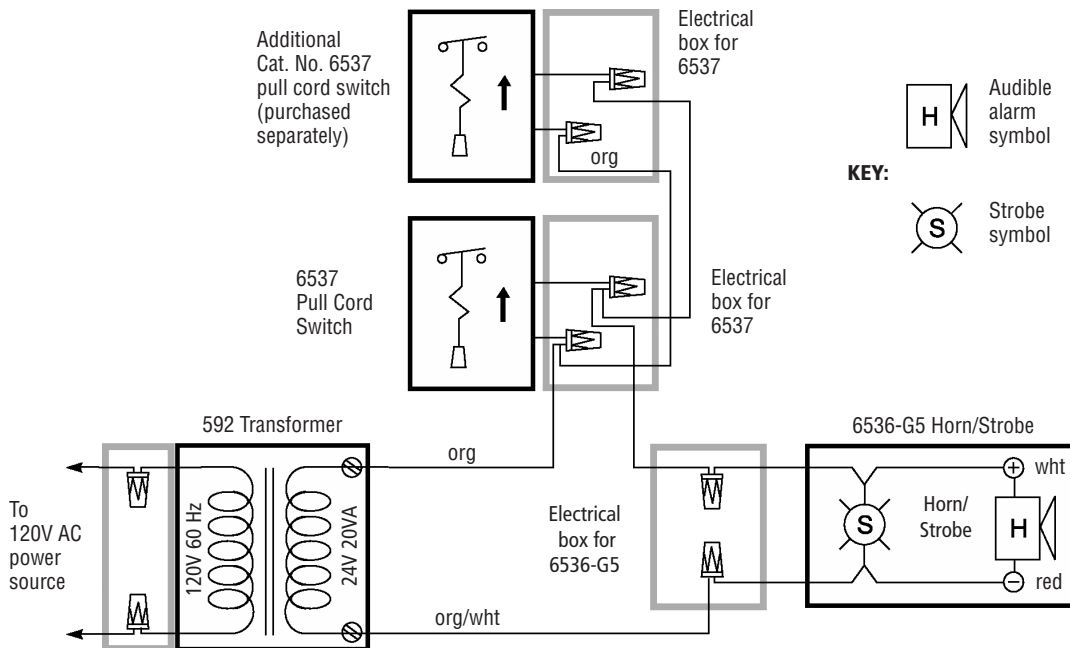
The Edwards Cat. No. 592 transformer is used to power the horn/strobe. It is equipped with a grounding wire and is suitable for installation in both plastic and metal boxes. See page 11-2.

6537 Pull Cord Stations

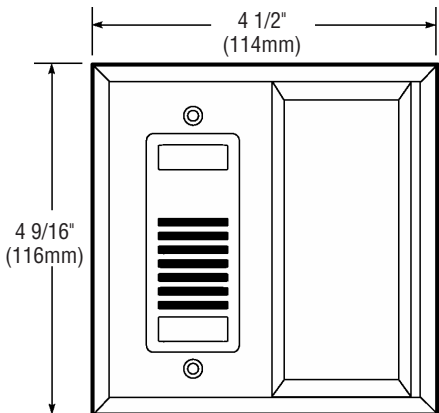
The Cat. No. 6537 pull cord station provides emergency call activation and reset. It has a stainless steel face plate with a DPST switch. See page 14-10.



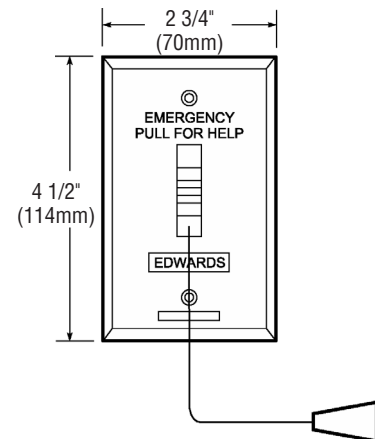
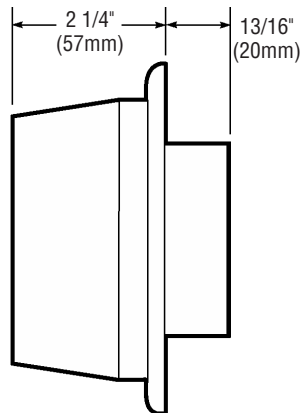
TECHNICAL INFORMATION



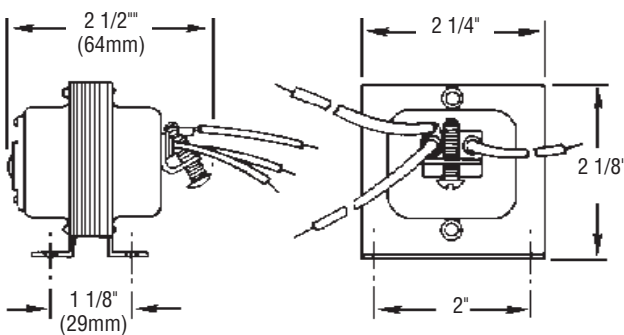
Connecting Cat. No. 6538-G5 Call for Assistance Kit



Cat. No. 6536-G5



Cat. No. 6537



Cat. No. 592 Transformer

