

Photoelectric Smoke Alarm

120 VAC and 220 VAC with 9 VDC Battery Back-Up Single Station Smoke Alarm

9000/9003

S E R I E S

Applications

The 9000/9003 Series of photoelectric smoke alarms is designed for residential applications and commercial/residential, including homes, apartments, hospitals, hotels and motels, in compliance with UL 217, applicable IBC/IFC Standards and NFPA 72.

Available in many different models, the 9120/9123 Series is engineered to virtually eliminate nuisance alarms and deliver outstanding performance wherever reliable fire protection is required. The 9000/9003 Series is provided with a 9 VDC alkaline battery for back-up in the event building power is lost. The battery impedance is verified and the detector provides a low or missing battery warning.

The Gentex 9000/9003 Series provides an exclusive patented three position test feature that simulates a 0.85% and 3.5% actual smoke condition in full compliance with NFPA 72 and UL Standards.

Options include self-restoring 135°F integral or isolated heat thermals and Form A/Form C dry contacts for remote annunciation. Tandem interconnection of up to 12 units is available on several models; tandem interconnection of up to 6 units is available on "F" models, which activate the dry contacts from a remote alarm through the tandem wire or a local alarm.

The 9003 Series provides the temporal 3 evacuation tone as a standard feature. When testing the 9123 Series it may take up to 16 seconds longer to go in or out of alarm.

Standard Features

- Available in 120VAC and 220VAC with 9VDC Battery Back-Up
- Horn Frequency 3100 Hz (Nominal)
- Nominal 2.5% Sensitivity
- Patented Three Position Test Switch
- On-Site Maintenance Washing Program
- Relays Operate on Battery Back-Up
- Quick-Disconnect Wiring Harness
- 90dBA Solid-State Piezo Horn
- Temporal 3 Evacuation Sounding Device (9123 Series)
- 5-to-1 Signal-to-Noise Ratio
- Pulsing LED Sensing Chamber
- Fully Insect Screened
- Red LED pulses every 30 seconds, green LED for AC power on
- Mounting Hardware Adapts to Standard Junction Boxes
- Dust Cover to Prevent Contamination During Installation
- Low or Missing Battery Indicator



Product Listings



This symbol on the product's nameplate means it is Listed by UNDERWRITERS LABORATORIES, INC.

- BFP (City of Chicago)
- BS+A/MEA #285-91-E
- MSFM Listing #1929
- CSFM #7257-569:117
- UL 1730 and UL 217 Listed
- CAN/ULC 552-02/553-02 (9000 Series only)

Product Compliance

- NFPA 72
- IBC/IFC



9000 (9120/9220) Series - Solid State Piezo Sounder

Model Number	Part Number	Voltage	Local 90dBA Piezo	Integral 135°F Thermal	Isolated 135°F Thermal	Tandem Up To 12 Units	Tandem Up To 6 Units	Form A/C Contacts	9VDC Battery Back-Up
9120	917-0001-002	120VAC	●			●			●
9120T	917-0002-002	120VAC	●	●		●			●
9120H	917-0003-002	120VAC	●		●	●			●
9120F	917-0004-002	120VAC	●				●	●	●
9120TF	917-0009-002	120VAC	●	●			●	●	●
9120HF	917-0005-002	120VAC	●		●		●	●	●
9220	917-0026-002	220VAC	●			●			●
9220T	917-0027-002	220VAC	●	●		●			●
9220H	917-0028-002	220VAC	●		●	●			●
9220F	917-0029-002	220VAC	●				●	●	●
9220TF	917-0031-002	220VAC	●	●			●	●	●
9220HF	917-0030-002	220VAC	●		●		●	●	●

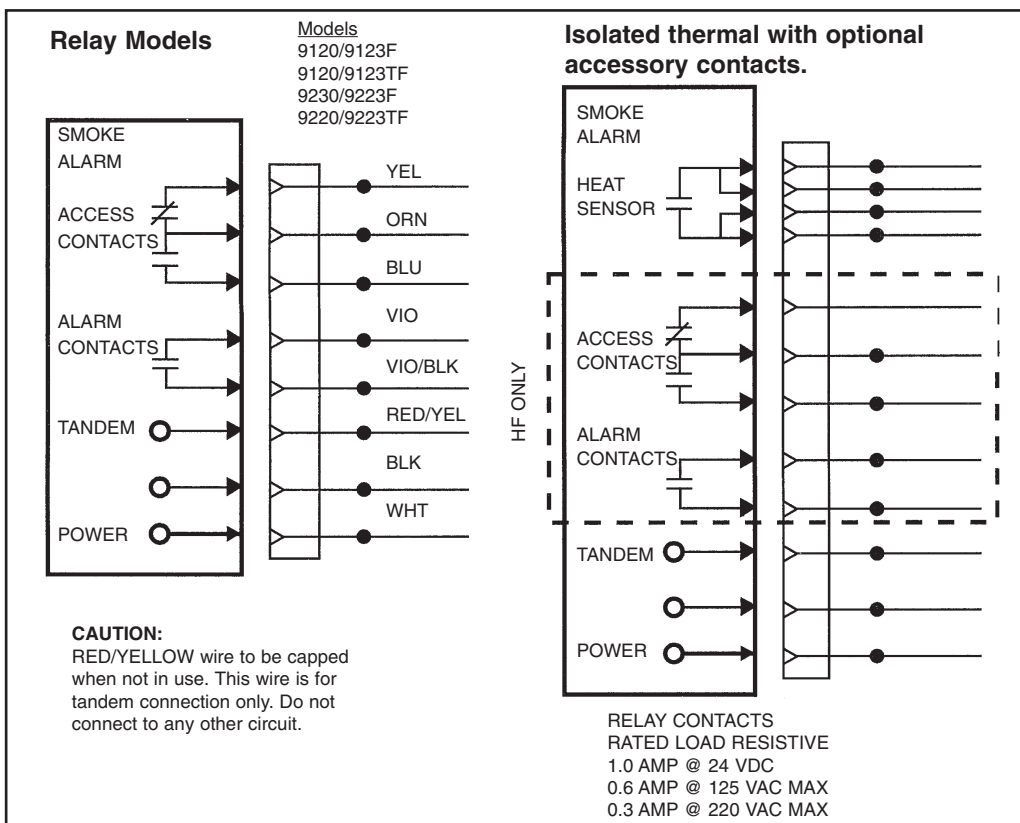
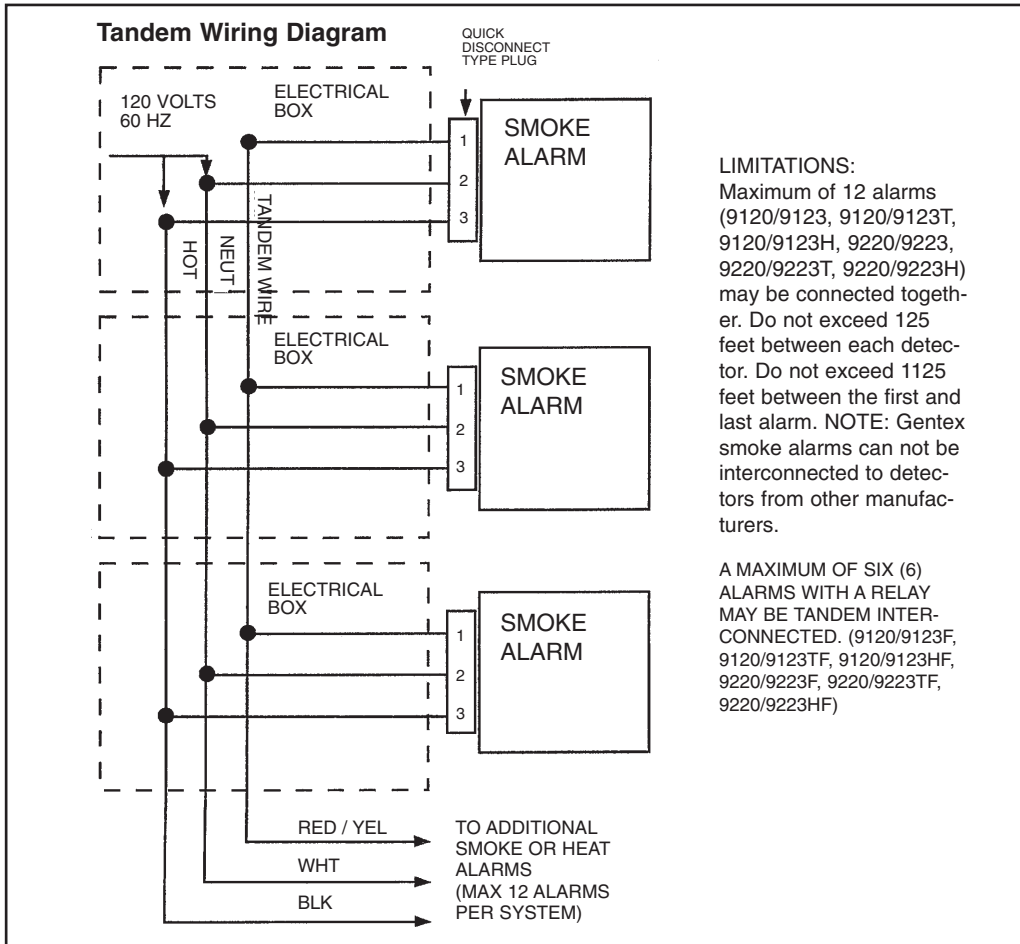
9003 (9123/9223) Series - Temporal 3 Piezo Sounder

Model Number	Part Number	Voltage	Local 90dBA Piezo	Integral 135°F Thermal	Isolated 135°F Thermal	Tandem Up To 12 Units	Tandem Up To 6 Units	Form A/C Contacts	9VDC Battery Back-Up
9123	917-0012-002	120VAC	●			●			●
9123T	917-0013-002	120VAC	●	●		●			●
9123H	917-0014-002	120VAC	●		●	●			●
9123F	917-0015-002	120VAC	●				●	●	●
9123TF	917-0017-002	120VAC	●	●			●	●	●
9123HF	917-0016-002	120VAC	●		●		●	●	●
9223	917-0032-002	220VAC	●			●			●
9223T	917-0033-002	220VAC	●	●		●			●
9223H	917-0034-002	220VAC	●		●	●			●
9223F	917-0035-002	220VAC	●				●	●	●
9223TF	917-0037-002	220VAC	●	●			●	●	●
9223HF	917-0036-002	220VAC	●		●		●	●	●

NOTES:

Series available in round configuration only.

9000/9003 Series Wiring Diagrams



9000/9003

SERIES

Electrical Specifications

Operating Voltage (9120/9123)	120 VAC, 60Hz
Operating Voltage (9220/9223)	220 VAC, 50Hz
Operating Current045 amps
Operating Current (Relay Options)070 amps
Operating Ambient Temp Range	40°F to 100°F
Alarm Horn Rating	90dBA at 10 ft.
Nominal Sensitivity	2.5% Obscuration
"F" Auxiliary Relay	1 Form A & 1 Form C (0.6 amp)
"T" Integral Thermal (Self-Restoring)	135°F at 50 ft.
"H" Isolated Thermal Form A (Self-Restoring)	135°F at 50 ft.
Size	Diameter: 6.5 in. OA (5.75 in. at Ceiling) Depth: 2.625 in.
Secondary Power Source	Alkaline 9 VDC Battery

Architect & Engineering Specifications

The Photoelectric Smoke alarm shall be a Gentex Model 9120/9123/9220/9223 or approved equal which shall provide at least the following features and functions.

1. Nominal sensitivity shall be 2.5%.
2. The alarm shall utilize an infrared LED sensing circuit which pulses in 4 to 5 second intervals when subjected to smoke. After 2 consecutive pulses in smoke, the alarm will activate.
3. The alarm shall have a 9 VDC alkaline battery as a back-up in the event building power is lost.
4. The 9 VDC battery impedance shall be verified by the circuit of the smoke alarm.
5. The alarm shall provide an indicator when the battery is low in power or high impedance or is missing.
6. The alarm shall provide minimum 5-to-1 signal-to-noise ratio in the optics frame to assure stability of operation in environments of high RF and transient conditions.
7. The sensing chamber shall be fully screened to prevent entrance of small insects, thus reducing the probability of false alarms.
8. A solid state piezo alarm rated at 90dBA at 10ft.
9. A visual LED monitor (condition indicator) will slow pulse in normal operation and rapid pulse in alarm.
10. An easily accessible test knob shall be provided. The test knob in the TEST position will simulate an actual smoke condition of approximately 3.5% causing the detector to alarm within 20-36 seconds. It will also have the capability of testing to 0.85% as a required minimum. A magnetic switch closure or other switch closure, or smoke generating equipment which does not scatter the light beam or test sensitivity is not sufficient, as indicated in National Code.
11. The detector shall have tandem interconnect capability of up to 12 units or 6 units with relay.
12. The alarm shall have tandem interconnection capabilities of 12 units on 9120/9120T/9120H/9123/9123T/9123H/9220/922T/9220H/9223/9223T/9223H and shall have tandem interconnection capabilities of 6 units on 9120F/9120TF/9120HF/9123F/9123TF/9123HF/9220F/9220TF/9220HF/9223F/9223TF/9223HF.
13. The manufacturer shall provide other compatible alarm models with the following optional features: a) 135°F isolated thermal with normally opened contact for remote connection to local alarm or annunciator; b) 135°F integral thermal; c) auxiliary Form A/Form C relay contacts for initiating remote functions and annunciation; d) relay option that is capable of activation by tandem interconnect wire. Thermal sensor shall be self-restoring.
14. Unit must be UL 217 listed for both wall and ceiling mount.
15. Unit shall be listed by Underwriters Laboratories, California State Fire Marshal (CSFM) and the Bureau of Standards and Appeals (NYC).

All equipment shall be completely factory assembled, wired and tested, and the contractor shall be prepared to submit a certified letter testifying to this condition. Alarms which do not meet all of the requirements of this specification will not be considered.

24 units per carton
34 pounds per carton



Fire Protection Products: www.gentex.com
10985 Chicago Drive Box 310 • Zeeland, Michigan 49464
616.392.7195 • 1.800.436.8391 • 616.392.4219 Fax

Gentex corporation reserves the right to make changes to the product data sheets at their discretion.

Important Notice:

These materials have been prepared by Gentex Corporation ("Gentex") for informational purposes only, are necessarily summary, and are not purporting to serve as legal advice and should not be used as such. Gentex makes no representations and warranties, express or implied, that these materials are complete and accurate, up-to-date, or in compliance with all relevant local, state and federal laws, regulations and rules. The materials do not address all legal considerations as there is inevitable uncertainty regarding interpretation of laws, regulations and rules and the application of such laws, regulations and rules to particular fact patterns. Each person's activities can differently affect the obligations that exist under applicable laws, regulations or rules. Therefore, these materials should be used only for informational purposes and should not be used as a substitute for seeking professional legal advice. Gentex will not be responsible for any action or failure to act in reliance upon the information contained in this material.

551-0040-01

Printed on Recycled Paper