



GENTEX
CORPORATION

A Smarter Vision™

Photoelectric Smoke Alarm

120 VAC Single Station Smoke Alarm

Applications

The Gentex GN-200 (120VAC) and GN-300 (120VAC/9VDC) Series photoelectric smoke alarms are designed for residential and commercial residential applications, including but not limited to, homes, apartments, hospitals, hotels and motels, in compliance with UL 217 and NFPA 72.

The GN-200 and GN-300 Series are engineered to virtually eliminate nuisance alarms and deliver outstanding performance wherever reliable fire and smoke protection is required.

The GN-300 Series is a 120VAC with a 9 VDC alkaline battery for back-up in the event building power is lost. The battery impedance is verified and the smoke alarm provides a low or missing battery warning. The battery drawer provides easy replacement without removing the unit from the wall or ceiling.

The Gentex GN-200 and GN-300 Series are provided with a push button test that simulates a 3.5% actual smoke condition in compliance with NFPA 72 and UL Standards.

Tandem connection capabilities up to 12 units is available on the GN-200 and GN-300 Series. The GN-200 and GN-300 Series have tandem capabilities with existing Gentex smoke alarms.

The GN-200 and GN-300 Series provides a continuous tone. The GN-203 and GN-303 Series provides a temporal 3 evacuation tone.

Standard Features

- GN-200 Series available in 120VAC
- GN-300 Series available in 120VAC with 9VDC battery back-up
- Horn frequency 3150 Hz (Nominal)
- Nominal 2.5% sensitivity
- Push button test feature
- On-site maintenance washing program
- GN-300 Series includes battery drawer on side of unit to allow for battery replacement without removing unit from wall or ceiling
- GN-300 Series includes low or missing battery indicator
- Quick-disconnect wiring harness
- *Sure-Lock™* locking pin to detour alarm tampering
- Dust-Cover included to keep units dust free until occupancy
- 85dBA continuous solid-state piezo horn (GN-200 & GN-300 Models)
- Temporal 3 evacuation sounding device (GN-203 & GN-303 Models)
- Pulsing LED sensing chamber
- Insect protected
- *Easy Wash™* on site maintenance program
- Red LED pulses every 30 seconds, green LED verifies AC power
- Mounting hardware adapts to standard junction boxes
- Full tandem compatibility with existing Gentex smoke alarms.
- Mounting bracket allows mounting to textured ceilings

**GN - 200 &
GN - 300
SERIES**



**Easy Wash™ -
On Site
Maintenance
Program**

Product Listings



This symbol on the product's nameplate means it is Listed by UNDERWRITERS LABORATORIES, INC.

- BFP (City of Chicago)
- BS+A/MEA - Pending
- CSFM - Pending
- UL 217 Listed

Product Compliance

- NFPA 72
- IBC/IFC

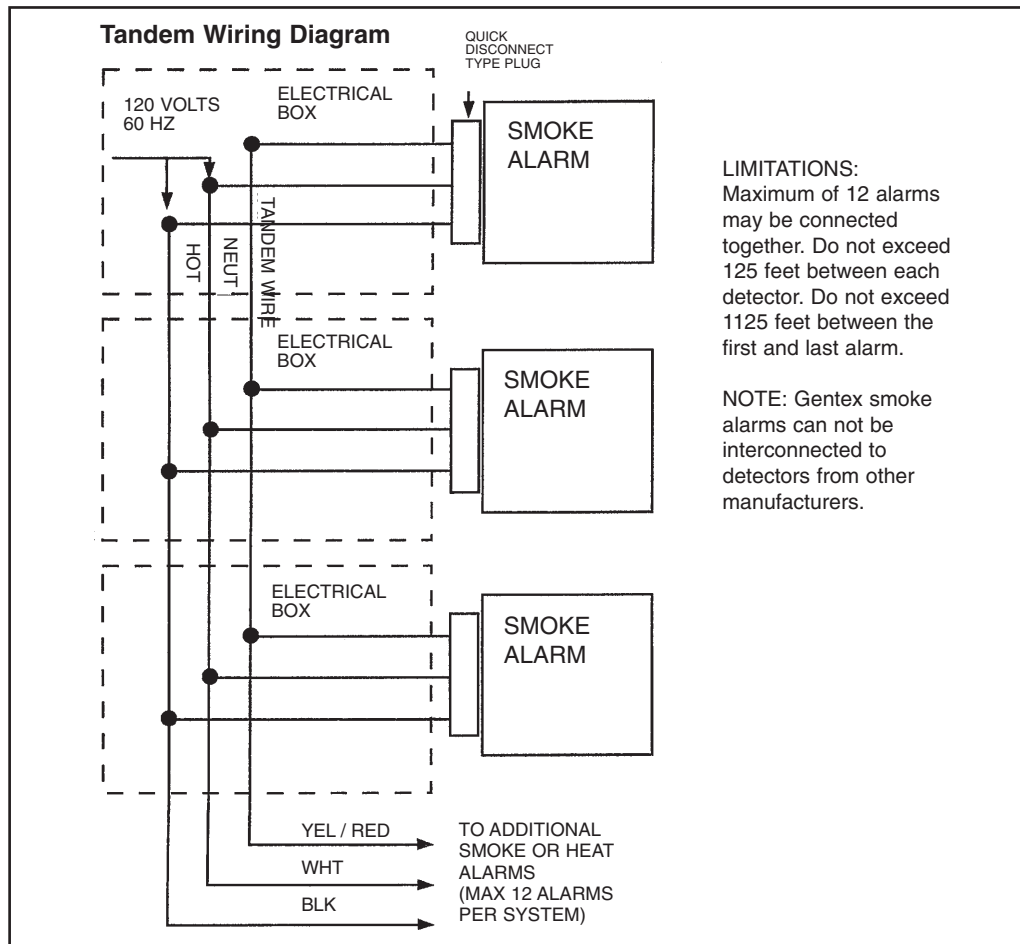
NEMA
MEMBER



GN-200 & GN-300 Series

Model Number	Part Number	Voltage	Continuous Piezo	Temporal 3 Piezo	Tandem Up To 12 Units	9VDC Battery Back-Up
GN-200	917-0052-002	120VAC	●		●	
GN-203	917-0053-002	120VAC		●	●	
GN-300	917-0049-002	120VAC	●		●	●
GN-303	917-0050-002	120VAC		●	●	●

GN-200 & GN-300 Series Wiring Diagrams



Electrical Specifications

Operating Voltage (GN-200 & GN-300 Series)	120 VAC, 60Hz
Operating Current037 amps
Operating Ambient Temp Range	40°F to 100°F
Alarm Horn Rating	85dBA at 10 ft.
Nominal Sensitivity	2.5% Obscuration
Size	Diameter: 6.0 in. OA (4.75 in. at Ceiling) Depth: 1.75 in.
Secondary Power Source (GN-300 & GN-303)	Duracell MN 1604 9VDC Alkaline Battery

Architect & Engineering Specifications

The Photoelectric Smoke alarm shall be a Gentex Model GN-200/GN-203/GN-300/GN-303 or approved equal which shall provide at least the following features and functions.

1. Nominal sensitivity shall be 2.5%.
2. The alarm shall utilize an infrared LED sensing circuit which pulses in 4 to 5 second intervals when subjected to smoke. After 2 consecutive pulses in smoke, the smoke alarm will activate.
3. The GN-300 Series smoke alarm shall have a Duracell MN 1604 9VDC alkaline battery as a back-up in the event building power is lost.
4. The 9 VDC battery impedance shall be verified by the circuit of the smoke alarm.
5. The smoke alarm shall provide an indicator when the battery is low in power or high impedance or is missing.
6. The sensing chamber shall be fully screened to prevent entrance of small insects, thus reducing the probability of false alarms.
7. A solid state piezo alarm rated at 85dBA at 10ft.
8. A visual LED monitor (status indicator) will slow pulse in normal operation and rapid pulse in alarm.
9. An easily accessible test button shall be provided. Push down on button for 5 seconds causing smoke alarm to go into alarm. If smoke alarm does not alarm, the smoke alarm is not working properly.
10. The smoke alarms shall have tandem interconnect capability of up to 12 units.
11. The smoke alarms shall have the capability to tandem with all Gentex tandem capable smoke alarms including 7000/7003 Series, 9000/9003 Series, 710/713CS Series and 7109/7139CS Series.
12. Unit must be UL 217 listed for both wall and ceiling mount.
13. Unit shall be equipped with dust-cover to protect unit while construction is complete. Dust-cover must be removed prior to power being supplied to smoke alarm. If dust-cover is not removed operation of smoke alarm will be inhibited.
14. Unit shall be listed by Underwriters Laboratories, California State Fire Marshal (CSFM) and the Bureau of Standards and Appeals (NYC).

All equipment shall be completely factory assembled, wired and tested, and the contractor shall be prepared to submit a certified letter testifying to this condition. Alarms which do not meet all of the requirements of this specification will not be considered.

For complete product specifications, refer to product installation manual.

24 units per carton 24 pounds per carton

GN-200 & GN-300 SERIES

GENTEX
CORPORATION

Fire Protection Products: www.gentex.com
10985 Chicago Drive Box 310 • Zeeland, Michigan 49464
616.392.7195 • 1.800.436.8391 • 616.392.4219 Fax

Gentex corporation reserves the right to make changes to the product data sheets at their discretion.

Important Notice:

These materials have been prepared by Gentex Corporation ("Gentex") for informational purposes only, are necessarily summary, and are not purported to serve as legal advice and should not be used as such. Gentex makes no representations and warranties, express or implied, that these materials are complete and accurate, up-to-date, or in compliance with all relevant local, state and federal laws, regulations and rules. The materials do not address all legal considerations as there is inevitable uncertainty regarding interpretation of laws, regulations and rules and the application of such laws, regulations and rules to particular fact patterns. Each person's activities can differently affect the obligations that exist under applicable laws, regulations or rules. Therefore, these materials should be used only for informational purposes and should not be used as a substitute for seeking professional legal advice. Gentex will not be responsible for any action or failure to act in reliance upon the information contained in this material.

551-0052-01

 Printed on Recycled Paper