

## Weatherproof Commander Series Evacuation Signals

### Applications

The Weatherproof Series Emergency Notification Evacuation Signals offers dependable visible and/or audible alarms for warning and emergency notification in weatherproof locations. Applications include severe weather, emergency response and many more.

Included with the WGE Emergency Notification Series is the GOE or GOELP weatherproof enclosure. The enclosure is made of high quality Lexan® material, providing protection from weather related conditions and allowing the necessary full candela output. The GOE and GOELP enclosure meets various installation requirements including deterring moisture from entering the enclosures.

The Weatherproof Emergency Notification Series is equipped with the 4" mounting plate which incorporates the *Super-Slide™* feature that allows the installer to easily test for supervision. The product also features a locking mechanism which secures the product to the bracket without any screws showing.

The WGE Series also features the *Checkmate™* - Instant Voltage Verification feature which allows the installer to check the voltage without removing the signal.

The WGE Series strobe has a minimal operation current and has a minimum flash rate of 1Hz or up to 2Hz regardless of input voltage.

### Standard Features

- Nominal Voltage 24 VDC
- Unit is Shipped with UL1638 listed WGE Emergency Notification Strobe or Horn/Strobe
- **Unit Dimensions:** GOE 5.75" High x 4.75" Wide x 4.18" Deep  
GOELP 5.75" High x 4.75" Wide x 3.25" Deep
- Super-Slide™ - Ease of Supervision Testing
- Checkmate™ - Instant Voltage Verification
- Switch Selection for High dBA
- Switch for Mechanical and 2400Hz Tone
- Switch for Continuous Tone
- Tamperproof Re-entrant Grill
- Wide Voltage Range 16-33 VDC or FWR
- Separate Horn and Strobe Functions
- Synchronize Strobe and/or Horn by Using Gentex Synchronization Control Module
- Listed for UL1638 when used with the GOE or GOELP enclosure
- GOE/GOELP Made of Clear Lexan® - Provides Maximum Visibility and Reliability for Effective Visible Signaling - Allowing Full 75cd Output
- Input Terminals 12 to 18 AWG
- Faceplate Available in Red or Off-White

## WGEC/WGES Colored Lens SERIES



Lens available in Blue, Red, Amber and Green Colors



GOELP

GOE

### Product Listings



This symbol on the product's nameplate means it is Listed by UNDERWRITERS LABORATORIES, INC.

- BS+A/MEA - Pending
- CSFM - Pending
- UL 464 & UL 1638 Listed



## WGES Emergency Notification Evacuation Weatherproof Strobe

Model Number	Lens Color	Faceplate Color <sup>1</sup>	Nominal Voltage	Candela
WGESA24-75PW	Amber	Red (R)/White (W)	24 VDC	75
WGESB24-75PW	Blue	Red (R)/White (W)	24 VDC	75
WGESG24-75PW	Green	Red (R)/White (W)	24 VDC	75
WGESR24-75PW	Red	Red (R)/White (W)	24 VDC	75

To Obtain Gentex Part Numbers for the WGE Colored Lens Series, Contact Gentex Directly.

## WGEC Emergency Notification Evacuation Weatherproof Horn/Strobe

Model Number	Lens Color	Faceplate Color <sup>1</sup>	Nominal Voltage	Candela (1638)	Reverberant dBA @ 10 ft. per UL 464 <sup>1</sup>	In Anechoic Room dBA @ 10ft.
WGECA24-75PW	Amber	Red (R)/White (W)	24 VDC	75	70-82	100
WGECB24-75PW	Blue	Red (R)/White (W)	24 VDC	75	70-82	100
WGECEG24-75PW	Green	Red (R)/White (W)	24 VDC	75	70-82	100
WGECR24-75PW	Red	Red (R)/White (W)	24 VDC	75	70-82	100

## WGES Emergency Notification Evacuation Low Profile Weatherproof Strobe

Model Number	Lens Color	Faceplate Color <sup>1</sup>	Nominal Voltage	Candela
WGESA24-75PWLP	Amber	Red (R)/White (W)	24 VDC	75
WGESB24-75PWLP	Blue	Red (R)/White (W)	24 VDC	75
WGESG24-75PWLP	Green	Red (R)/White (W)	24 VDC	75
WGESR24-75PWLP	Red	Red (R)/White (W)	24 VDC	75

## WGEC Emergency Notification Evacuation Low Profile Weatherproof Horn/Strobe

Model Number	Lens Color	Faceplate Color <sup>1</sup>	Nominal Voltage	Candela (1638)	Reverberant dBA @ 10 ft. per UL 464 <sup>2</sup>	In Anechoic Room dBA @ 10ft.
WGECA24-75PWLP	Amber	Red (R)/White (W)	24 VDC	75	70-82	100
WGECB24-75PWLP	Blue	Red (R)/White (W)	24 VDC	75	70-82	100
WGECEG24-75PWLP	Green	Red (R)/White (W)	24 VDC	75	70-82	100
WGECR24-75PWLP	Red	Red (R)/White (W)	24 VDC	75	70-82	100

### Notes:

- The WGE Series is listed for outdoor use. Indoor Operating Temperature: 32°to 120°F (0° to 49°C). Outdoor Operating Temperature: -31°to 150°F (-35° to 66°C).
- For nominal and peak current across UL regulated voltage range for filtered DC power and unfiltered (FWR [Full Wave Rectified]) power, see installation manual.
- Gentex does not recommend using a coded or pulsing signaling circuit with any of our strobe products (see Technical Bulletin Number 014).**

### Model designations:

"P" = Plain (no lettering) "C" = Ceiling Mount, "R" = Red Faceplate/"W" = Off-White Faceplate

Lens Colors: "B" = Blue "R" = Red "A" = Amber "G" = Green

<sup>1</sup> Faceplate Color must be designated at time of order.

WGE Series Product Horn Current Ratings			
Horn Mode	Minimum dBA @ 10ft. per UL464 (HIGH)	Minimum dBA @ 10ft. per UL464 (LOW)	Regulated 24VDC Max. Operating @ High Setting (mA)
Temp 3 2400Hz	78	71*	28
Temp 3 Mechanical	76	70*	25
Temp 3 Chime	70*	66*	15
Continuous 2400Hz	81	74*	28
Continuous Mechanical	80	72*	25
Continuous Chime	70*	66*	15
Whoop	82	69*	56

WGE Series Strobe Current Ratings	
Candela	75cd
24 VDC	112mA
UL Max <sup>3</sup>	180mA

\*Operating the horn in this mode at this voltage will result in not meeting the minimum UL reverberant sound level required for public mode fire protection service. These settings are acceptable only for private mode fire alarm use. Use the high dBA setting for public mode application (not applicable when using the chime tone. The chime tone is always private mode).

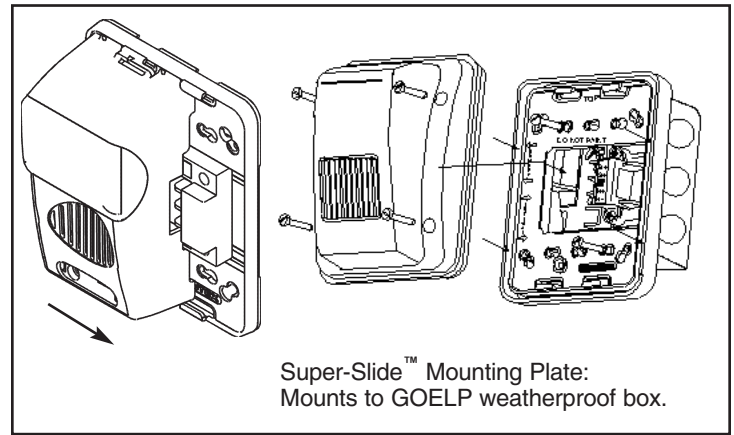
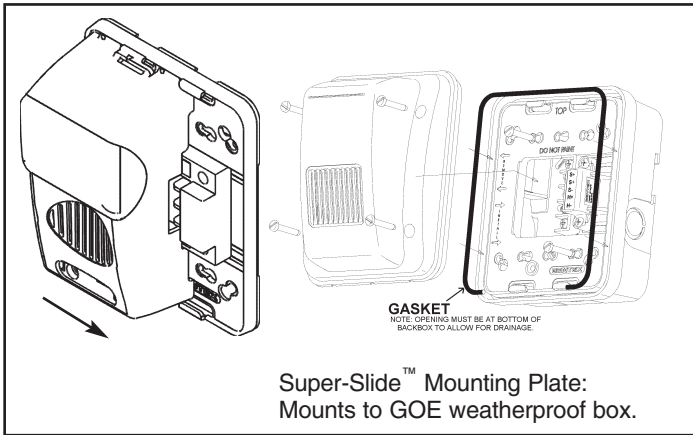
**Notes:** The sound output for the temporal 3 tone is rated lower since the time the horn is off is averaged into the sound output rating. While the horn is producing a tone in the temporal 3 mode its sound pressure is the same as the continuous mode.

To obtain the horn/strobe current draw, add the strobe current draw and the horn current draw.

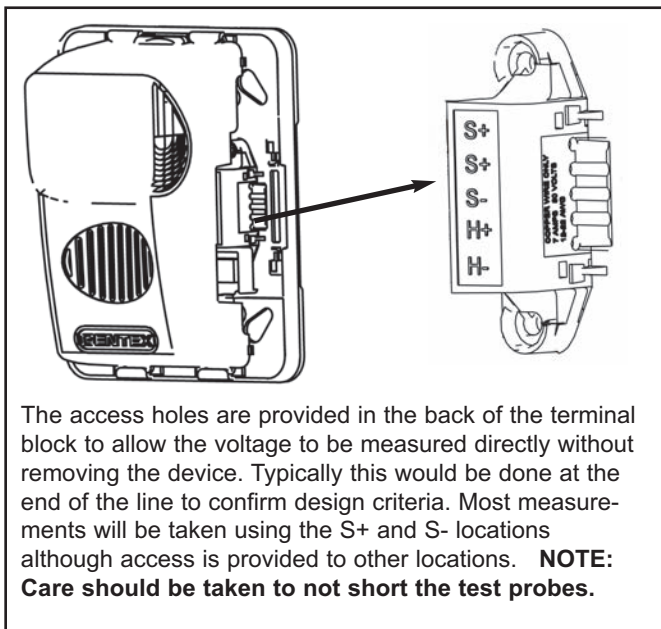
<sup>2</sup> The listed reverberant dBA are for the Continuous Tone mode. The Temporal 3 Tone has a reverberant dBA @ 10ft. per UL 464 is 77-83 with a horn current draw of 34mA.

<sup>3</sup> RMS current ratings are per UL average RMS method. UL max current rating is the maximum RMS current within the listed voltage range (16-33VDC for 24VDC units) (8-17VDC for 12VDC units). For strobes the UL max current is usually at the minimum listed voltage (16VDC for 24VDC units) (8VDC for 12VDC units). For audibles the max current is usually at the maximum listed voltage. For unfiltered FWR ratings, see installation manual.

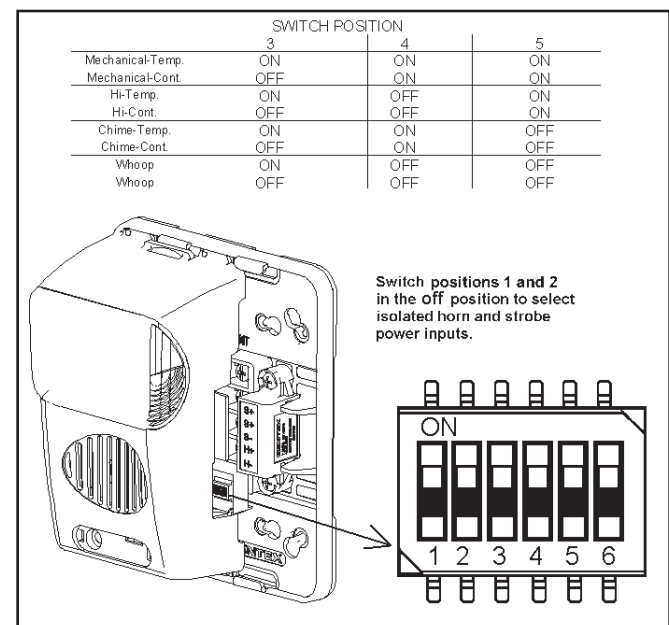
## Mounting Super-Slide™



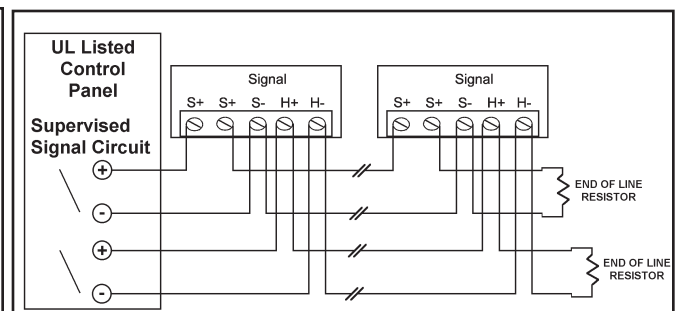
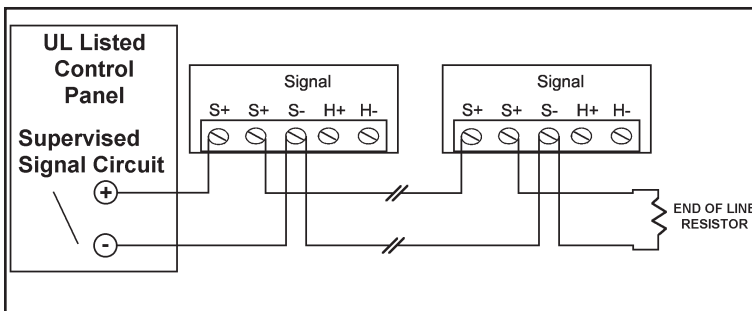
## Checkmate™ - Instant Voltage Verification



## Switch Locations

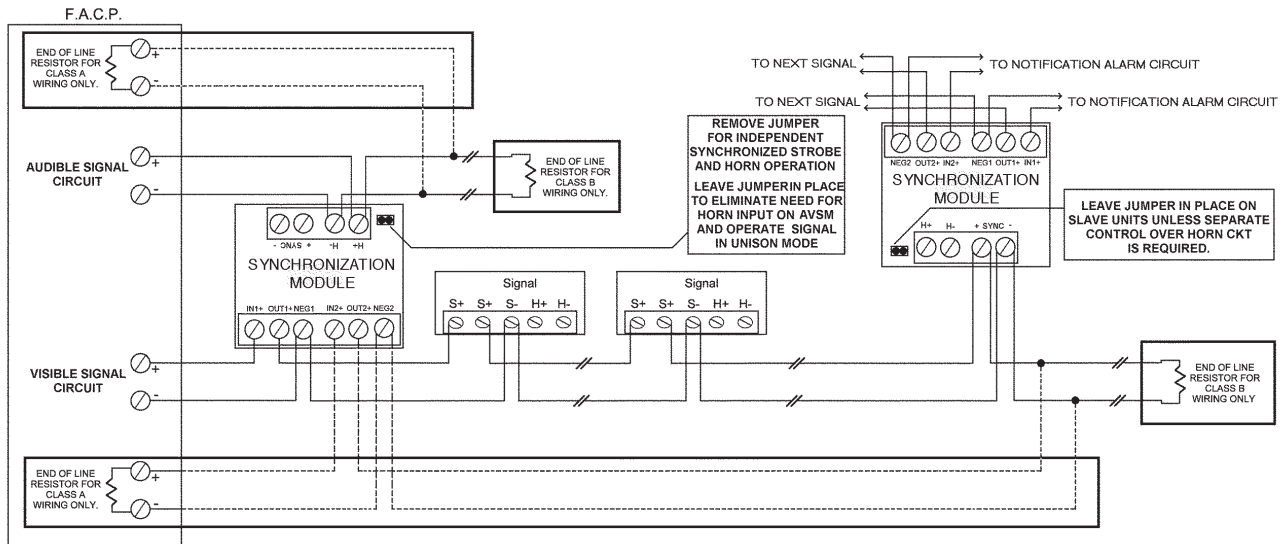


## Conventional Wiring Diagrams for WGE Emergency Notification Evacuation Series



# WGEC/WGES Colored Lens S E R I E S

## Wiring Diagram Emergency Notification Series with Gentex Synchronization Module



**Note:** See Technical Bulletin 015 for proper synchronization module for application.

### Architect & Engineering Specifications:

The audible and/or visible signal shall be Gentex WGE Emergency Notification Evacuation Series or approved equal and shall be listed by Underwriters Laboratories Inc. per UL 1638 and/or UL 464. The notification appliance shall also be listed with the California State Fire Marshal (CSFM) and the Bureau of Standards and Appeals (NYC).

The notification appliance (combination audible/visible) shall produce a peak sound output of 100dBA or greater at as measured in an anechoic chamber. The signaling appliance shall also have the capability to silence the audible signal while leaving the visible signal energized with the use of a single pair of power wires. Additionally, the user shall be able to select either continuous or temporal tone output with the temporal signal having the ability to be synchronized.

The audible/visible and visible signaling appliance shall also maintain a minimum flash rate of 1Hz or up to 2 Hz regardless of power input voltage. The appliance shall have an operating current of 112mA or less for the 75Cd strobe circuit. The appliance shall also be capable of meeting the candela requirements of the ADA (75cd).

The appliance shall be polarized to allow for electrical supervision of the system wiring. The unit shall be provided with a mounting bracket with terminals with barriers for input/output wiring and be able to mount to a single gang or double gang box or double workbox without the use of an adapter plate. The unit shall have an input voltage range of 16-33 volts with either direct current or full wave rectified power for 24 volt models.

The appliance shall be capable of testing supervision without disconnecting wires. Also the appliance shall be capable of mounting to a surface back box. The unit shall also be able to verify voltage at the unit without removing unit.

The appliance has extended temperature range of -31° to 150°F (-35° to 66° C). The appliance shall satisfy virtually all outdoor and severe environment applications. The GOE Enclosure includes a gasket that must be inserted between the box and mounting bracket. There are drain holes in the back box to allow for drainage, the seal on the GOE Enclosure is not water tight. The GOELP Enclosure includes a weather seal for mounting to wall and intended for use with universal electrical box. To allow for drainage, bottom edge of enclosure is not water tight.

1 unit per carton  
3 pounds per carton

# GENTEX CORPORATION

Fire Protection Products: [www.gentex.com](http://www.gentex.com)  
10985 Chicago Drive Box 310 • Zeeland, Michigan 49464  
616.392.7195 • 1.800.436.8391 • 616.392.4219 Fax

Gentex corporation reserves the right to make changes to the product data sheets at their discretion.

#### Important Notice:

These materials have been prepared by Gentex Corporation ("Gentex") for informational purposes only, are necessarily summary, and are not purported to serve as legal advice and should not be used as such. Gentex makes no representations and warranties, express or implied, that these materials are complete and accurate, up-to-date, or in compliance with all relevant local, state and federal laws, regulations and rules. The materials do not address all legal considerations as there is inevitable uncertainty regarding interpretation of laws, regulations and rules and the application of such laws, regulations and rules to particular fact patterns. Each person's activities can differently affect the obligations that exist under applicable laws, regulations or rules. Therefore, these materials should be used only for informational purposes and should not be used as a substitute for seeking professional legal advice. Gentex will not be responsible for any action or failure to act in reliance upon the information contained in this material.

551-0044-01

Printed on Recycled Paper