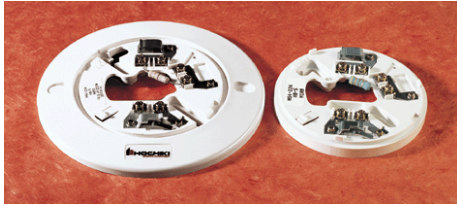


## NS Conventional Detector Bases

### NS6 AND NS4 SERIES SMOKE DETECTOR BASE



The NS6 and NS4 Series Smoke Detector Base Series is designed specifically for use with HOCHIKI NS Conventional Models SIJ-24 Ionization Smoke Detector, SLR-24V Photoelectric Smoke Detector, SLR-24H Photoelectric with Heat Smoke Detector, SLR-835 Photoelectric Smoke Detector, or DCD-135/190 Fixed Temperature/Rate-of-Rise Heat Detector. The NS6 Base is an electronics free 6" base featuring a plastic tamper-lock lug. Each base is equipped with a resistor. Refer to the chart (left) for additional specifications. The NS4 base is a 4" version of the NS6 base.

NS Series Bases	Alarm Current	ID
NS6-224 or NS4-224	43mA (70mA @ 33.0V Max.)	HB-5
NS6-220 or NS4-220	93mA (136mA @ 33.0V Max.)	HB-3
NS6-221 or NS4-221	46mA (77mA @ 33.0V Max.)	HB-4
NS6-100* or NS4-100*	150mA @ 15.0 ~ 33.0V Max.	HB-55
*Requires external current limiting to 150mA maximum.		

### HSC-(X)R WIRE SMOKE DETECTOR BASE



Models HSC-224R/RA, HSC-220R and the HSC-221R are designed specifically for use with the HOCHIKI NS Conventional Models SIJ-24 Ionization Smoke Detector, SLR-24V Photoelectric Smoke Detector, SLR-24H Photoelectric with Heat Smoke Detector, SLR-835 Photoelectric Smoke Detector, or DCD-135/190 Fixed Temperature/Rate-of-Rise Heat Detector. The HSC-(X)R series is a 6" base with two sets of Form "C" relay contacts (DPDT, 1 amp at 30 VDC and 0.5 amp at 125 VAC) when this type of function is needed. These are Underwriters Laboratories approved for releasing device service.

2 Wire Auxilliary Relay Bases	Alarm Current	ID
HSC-224R/RA	43mA (58mA @ 30.0V Max)	HB-73
HSC-220R	88mA (98mA @ 26.5V Max)	HB-72
HSC-221R	49mA (62mA @ 30.0V Max)	HB-71

Models HSC-224R/RA, HSC-220R and the HSC-221R are also approved for use with HOCHIKI Conventional Models SIH-24F, SLK-24F, SLK-24FH and the DFE 135/190.

### HSC-4R FOUR WIRE SMOKE DETECTOR BASE



The HSC-4R is designed specifically for 24 volt 4 wire applications using HOCHIKI NS Conventional Models SIJ-24 Ionization Smoke Detector, SLR-24 Photoelectric Smoke Detector, SLR-24H Photoelectric with Heat Smoke Detector, SLR-835 Photoelectric Smoke Detector, or DCD-135/190 Fixed Temperature/Rate-of-Rise Heat Detector. The 6" diameter base is current limited. A direct short occurs across the loop when the detector is actuated.

4 Wire 24V Base	Alarm Current	ID
HSC-4R	43mA (58mA @ 30.0V Max)	N/A

Model HSC-4R is also approved for use with HOCHIKI Conventional Models SIH-24F, SLK-24F, SLK-24FH and the DFE 135/190.

*We try to keep our product information up-to-date and accurate. However, we cannot cover all specifications or anticipate all requirements. For additional information contact your local distributor or Hochiki America Corporation.*

#### Hochiki America Corporation

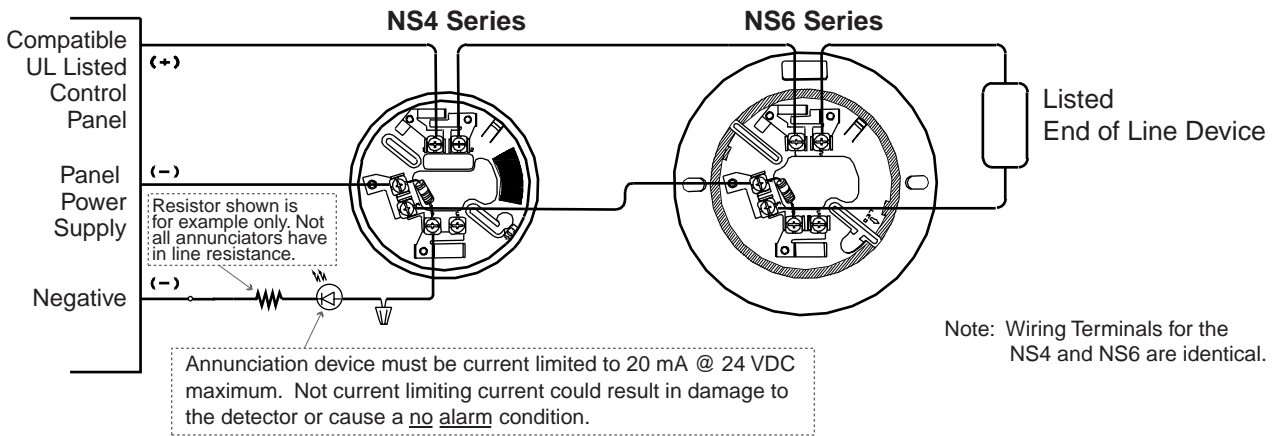
7051 Village Drive, Suite 100 • Buena Park, CA 90621-2268  
 Phone: 714/522-2246 • Fax: 714/522-2268  
 Technical Support: 800/845-6692 or technicalsupport@hochiki.com



# NS Conventional Detector Bases

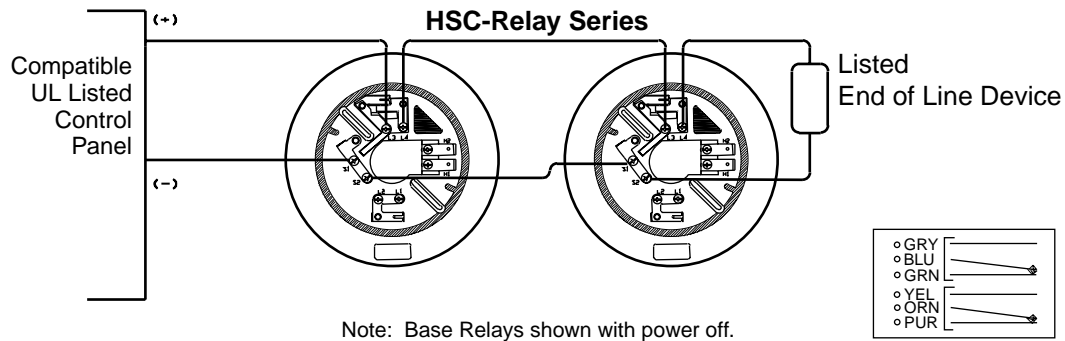
## NS6 AND NS4 SERIES SMOKE DETECTOR BASE

### 2-WIRE OPERATION



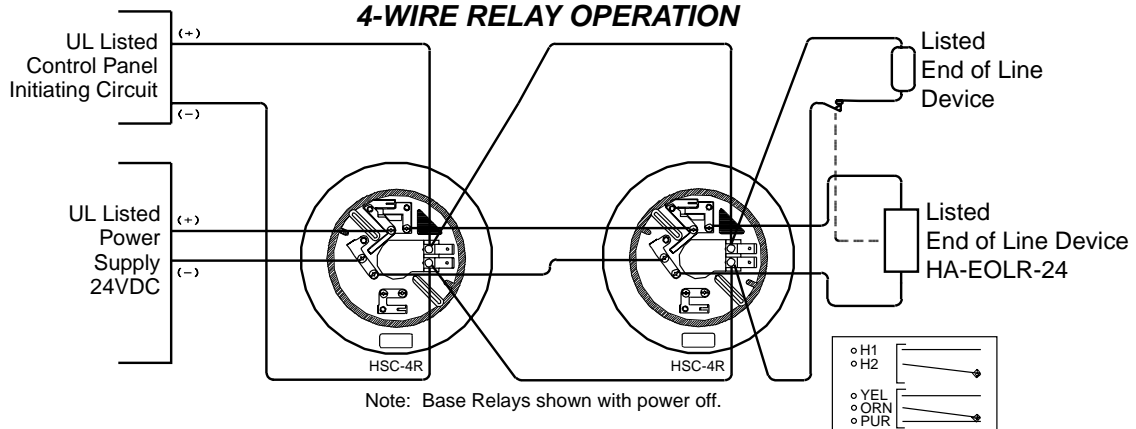
## HSC-(X)R WIRE SMOKE DETECTOR BASE

### 2-WIRE RELAY OPERATION



## HSC-4R FOUR WIRE SMOKE DETECTOR BASE

### 4-WIRE RELAY OPERATION



We try to keep our product information up-to-date and accurate. However, we cannot cover all specifications or anticipate all requirements. For additional information contact your local distributor or Hochiki America Corporation.