



Electromagnetic Fire Door Holders DH Series

RSG
3300 E. 59th St.
Long Beach, CA 90805
P: (562) 529 5100
F: (562) 529 5102
www.rsgsecurity.com



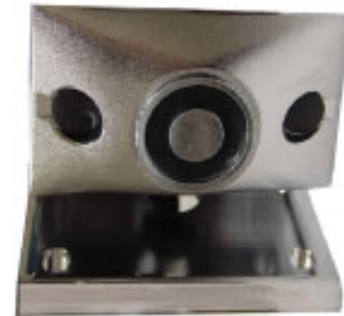
DH()FB
(Brass Plated)



DH()FC
(Chrome Plated)



DH()FPC
(Powdercoated)



DH()GC1



DH()WC

Description: DH series fire door holders are constructed of the finest materials and workmanship available. The door holder is made of durable die-cast metal and offered in a high luster plated or powdercoated finish.

Other features include standard dual voltage ac or dc inputs of 12 & 24V, 24 & 120V and 24 & 220V models. While reducing stocking requirements, model 24120 draws a mere .020 ma. @24VDC lowering overall job costs. (in large installations the cost savings can be substantial).

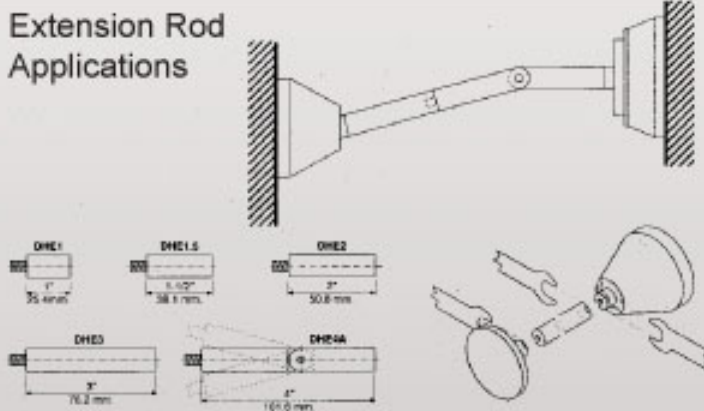
Other features: single or double coil floor mounting, surface mounting and direct wall mounting. No brackets are required. The DH series door holder offers a new installation technique using an adhesive template assuring alignment without secondary adjustments.

Accessories include extension and misalignment rods (various lengths) enabling parallelism between door and wall at distances greater than 12 inches and misalignment over 4 inches.

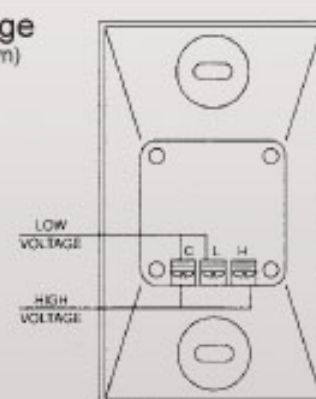
Aiding in installation is the aircraft quality DH drill that reduces installation time and provides a near perfect alignment of catch-plate and armature - again, lowering overall installation costs.

Basic units offer superior holding force and low residual magnetism. Models 1224 and 24120 can operate at higher listed voltages producing holding forces in excess of 100lbs. (45.3kg.) For special applications.

Extension Rod Applications



Dual Voltage (rear view shown)



MADE IN
AMERICA

OPTIONAL FEATURES

PLATED OR POWDERCOATED FINISH
DOUBLE BRASS PLATING/POWDERCOATED
EXTENSION AND MISALIGNMENT RODS.
SURFACE MOUNT BACK BOX.
TIME SAVING DRILL FIXTURE
(FOR MOUNTING CATCH PLATE).

STANDARD FEATURES

VERY LOW CURRENT DRAW.
DUAL VOLTAGE INPUTS.
TERMINAL BLOCK CONNECTIONS.
HIGH HOLDING FORCE.
LOW RESIDUAL MAGNETISM.
DOUBLE CHROME PLATING.
MOUNTING HARDWARE & INSTRUCTIONS.

PERFORMANCE DATA:

MODEL	VOLTAGE	DC/mA	AC/mA	Terminals	LB.	KG.
1224	12V	40	38	C&L	30	13.6
	24V	40	36	C&H	30	13.6
24120	24V	20	19	C&L	40	18.1
	120V	—	20	C&H	35	15.8
24420	24V	20	19	C&L	40	18.1
	220V	—	15	C&H	25	11.3

NOTE: Holding forces listed in above table correspond with shaded values, non shaded values are slightly less.

MODEL	VOLTAGE	DC/mA	AC/mA	Terminals	LB.	KG.
1224	24V	85	81	C&L	75	34.0
24120	120V	—	.100	C&L	110	49.8

HIGH HOLDING FORCE/SPECIAL APPLICATIONS:

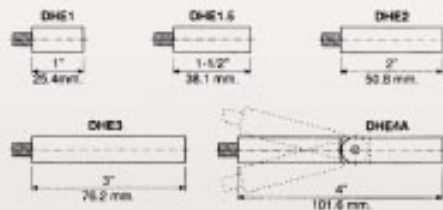
To obtain performance values in table above apply high listed voltage to low voltage terminals (C & L).

NOTE: This configuration can only be applied to models 1224 & 24120.

ACCESSORIES

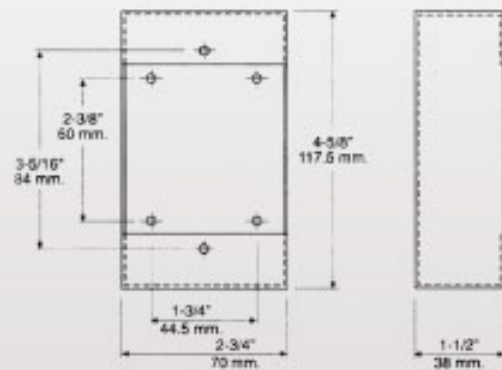
Extensions:

Extension rods



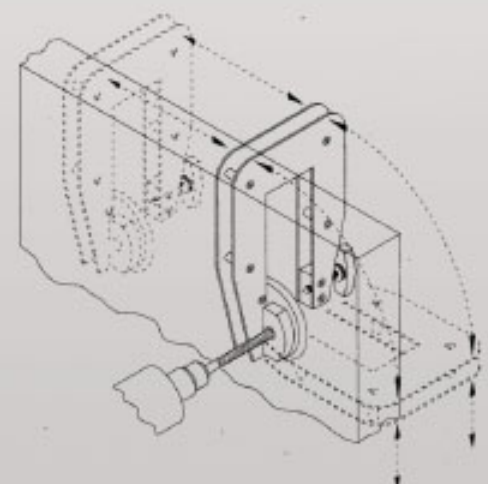
Surface Mounting:

DHBB (back box)



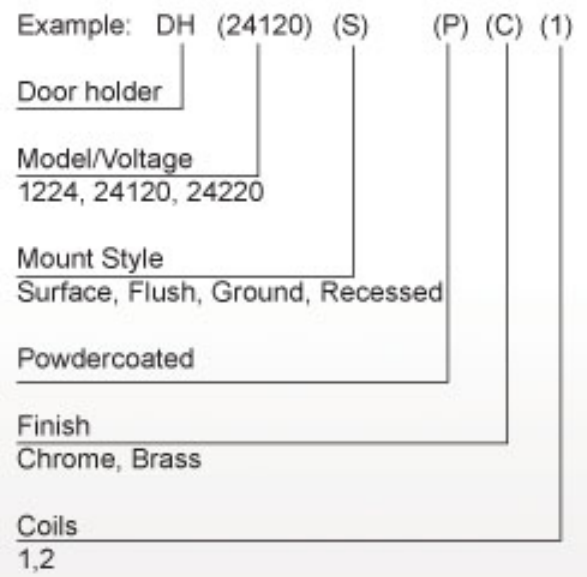
Installation Tools:

DHDF (drill fixture)



ORDERING INFORMATION:

- DH = Door Holder
 - F = Flush Mount
 - S = Surface Mount
 - R = Recessed
 - G = Ground Mount
 - P = Powdercoated
 - C = Chrome Plating
 - B = Brass Plating
 - 1 = Single Coil
 - 2 = Double Coil
- NOTE: #2 indicates double coil ground mount model.



ACCESSORIES:

Extensions:

- DHE1C 1 inch extension chrome.
- DHE1B 1 inch extension brass.
- DHE15C 1-1/2 inch extension chrome.
- DHE15B 1-1/2 inch extension brass.
- DHE2C 2 inch extension chrome.
- DHE2B 2 inch extension brass.
- DHE3C 3 inch extension chrome.
- DHE3B 3 inch extension brass.
- DHEAC 4 inch adjustable extension chrome.
- DHEAB 4 inch adjustable extension brass.

Hardware:

- DHCPC Catch plate assembly chrome.
- DHCPB Catch plate assembly brass.
- DHDC Catch disc only chrome.
- DHDB Catch disc only brass.
- DHBBC Surface back box chrome.
- DHBBB Surface back box brass.
- DHW Extension wrenches.
- DHDF Drilling fixture.