



SD505-6SB 6" Sounder Base



The SD505-6SB provides flexible notification capabilities where you need it.

The SD505-6SB adds an audible output function to the IntelliKnight Photo, Ion, or Heat addressable detectors. The SD505-6SB can be used as a single station, multi-station or as a system sounder. These powerful capabilities make the SD505-6SB ideal for use in hotels, apartments and dormitories where in room sounders are required. The sounder base is controlled by the same address as the detector it is mounted with, this saves SLC addresses and makes installation and programming easy.

SD505-6SB

The SD505-6SB provides an audible output at the detector that is activated.

Operation

When a detector that is connected to the SD505-6SB is activated, then the sounder base module will start sounding the programmed output pattern (16 possible output patterns, 12 preprogrammed, and 4 programmable outputs, including ANSI 3.41).

Features

- Adds an audible output function to an addressable detector
- Fully supervised
- Can be used with either Style 4, Style 6 or Style 7 (using SD500-LIMs) supervision.
- Adds audible output functions without using another SLC address.
- Uses the 12 pre-programmed output cadences, (including ANSI-3.41), or the 4 programmable outputs of the IntelliKnight FACP.
- Mounts to detector base.
- UL Listed (meets or exceeds UL 464 requirements for evacuation signal sound level of 85 dB at 10 ft.)

Specifications

Aux Current Draw:

| | |
|----------|-------|
| Standby: | 1 mA |
| Alarm: | 32 mA |

Operating Voltage:

| | |
|------------|--------|
| SLC Loop: | 32 VDC |
| Aux Input: | 24 VDC |

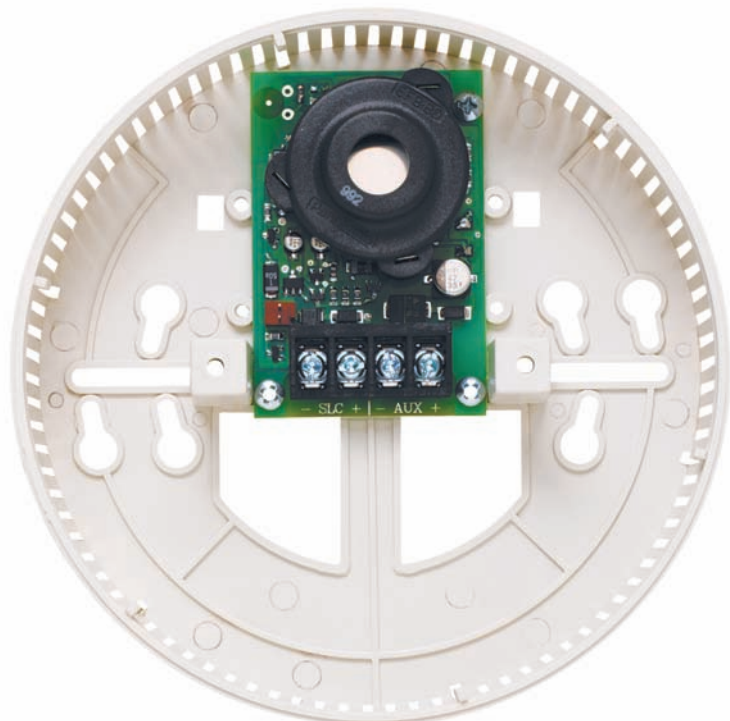
SLC Current Draw: .082 mA

Operating Temperature:

32°F to 120°F
(0°C to 49°C)

Humidity:

10 to 85% RH



Model SD505-6SB

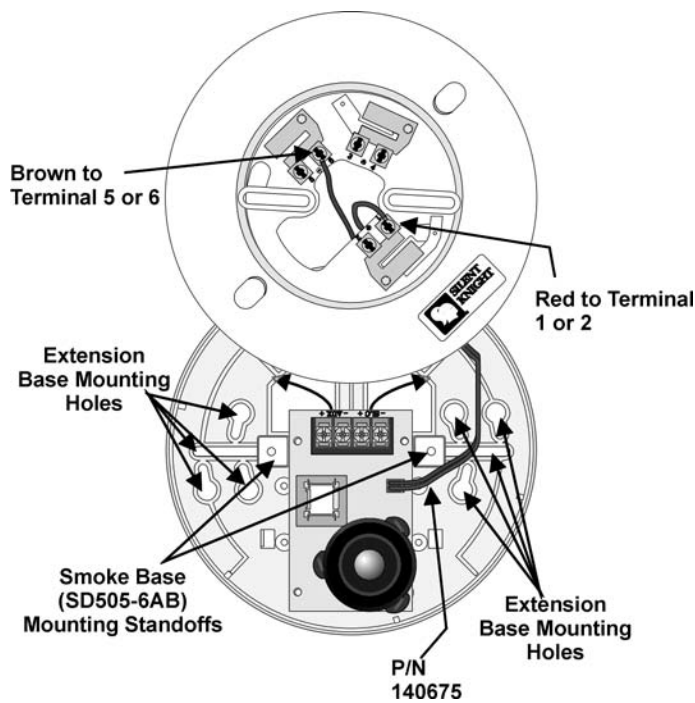
SD505-6SB

6" Sounder Base

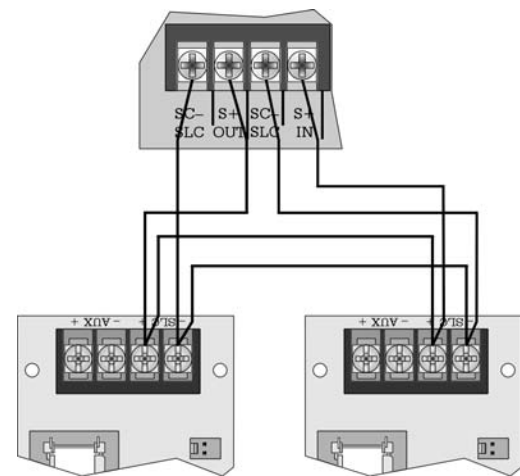


Engineering Specifications

Sounder base shall be Silent Knight Module SD505-6SB. The base must be compatible with Silent Knight smoke detector models SD505-APS and SD505-AIS. One detector shall be used with each sounder base. Must be capable of Style 4 Style 6 or Style 7 (using SD500-LIMs) supervision with out using a device address on the SLC loop. Modules shall be capable of using 12 Pre- programmed cadences outputs or 4 programmable IntelliKnight cadences.



SD505-6SB
Mounting With 6" Base
 (Base sold separately)



Wiring Class A & Class B



Assembled With Detector and 6" Base
 (Detector sold separately)



This document is not intended to be used for installation purposes. We try to keep our product information up-to-date and accurate. We cannot cover all specific applications or anticipate all requirements. All specifications are subject to change without notice. For more information, contact Silent Knight 7550 Meridian Circle Suite 100, Maple Grove, Mn 55369-4927.
 Phone: (800) 328-0103, Fax: (763) 493-6475.

IntelliKnight & JumpStart are Registered Trademarks of Silent Knight
 Flexput is a Trademark of Silent Knight

MADE IN AMERICA
 FORM# 350315 Rev. B, 02/06
 Copyright © 2006 Silent Knight