



**SILENT
KNIGHT**

by Honeywell

SD505-HEAT Addressable Heat Detector

IntelliKnight® addressable heat detectors combine accurate heat detection with pin-point location ID. An essential combination for any installation.

IntelliKnight heat detectors are an essential component in virtually any IntelliKnight installation. The IntelliKnight panel recognizes each detector by its specific address, so precious seconds are not wasted in determining location of an alarm.

Like other IntelliKnight detector models, the SD505-HEAT offers a low profile for pleasing aesthetics.

The IntelliKnight family of detectors has been designed to use a common base, Model SD505-6AB, allowing complete application and placement flexibility. Combine all this with the features you've come to expect from Silent Knight detectors—easy installation, stable operation, RF/transient protection, and vandal-resistant locking—and it adds up to a flexible solution for all your fire protection needs.

Model SD505-HEAT Addressable Heat Detector

The SD505-HEAT is a heat detector suited to virtually any commercial setting. The SD505-HEAT is an absolute temperature device. This means that it responds in alarm if the temperature goes above the trip point (programmed at the panel).

The SD505-HEAT provides accurate temperature measurement data to the fire alarm control panel. This heat detector is particularly suited to environments where smoke detectors cannot be used because of the presence of steam or cooking fumes, such as in a kitchen.

Operation

The SD505-HEAT unit is made up of an externally mounted thermistor with a specially designed cover that protects the thermistor while allowing maximum air flow. The thermistor reads the temperature from the air it takes in. It then transmits a signal representing the temperature to the IntelliKnight panel.

If the temperature exceeds the trip

point (programmed at the panel), an alarm occurs. The status LED lights continuously during the alarm period.

Under normal conditions, the status LED blinks approximately every 15 seconds, indicating that the head is communicating with the loop.

Features

- Low profile, 2 inches, including base
- Absolute temperature device
- Simple and reliable addressing
- Uses digital communication protocol
- The SD505-HEAT is UL Listed and meets the requirements outlined in NFPA 72 Inspection Testing and Maintenance, Chapter 7.
- CFSM listed
- MEA listed
- FM approved

Specifications

Operating Voltage: 17 to 41 VDC

Current Consumption:

Standby: .55 mA
Alarm: .55 mA

Detection Temperature Range:



SD505-HEAT

135°F to 150°F (57°C TO 65°C)

Ambient Temperature:
32°F to 120°F (0°C to 49°C)

Mounting: 4" SQR, 4" OCT
Single gang mud ring

Rated Spacing: 70' between
sensors on smooth ceilings.

Compatible Bases: SD505-6AB
(Sold Separately) SD505-6SB
SD505-6IB
SD505-6RB

Model SD505-HEAT

Addressable Heat Detector

Engineering Specifications

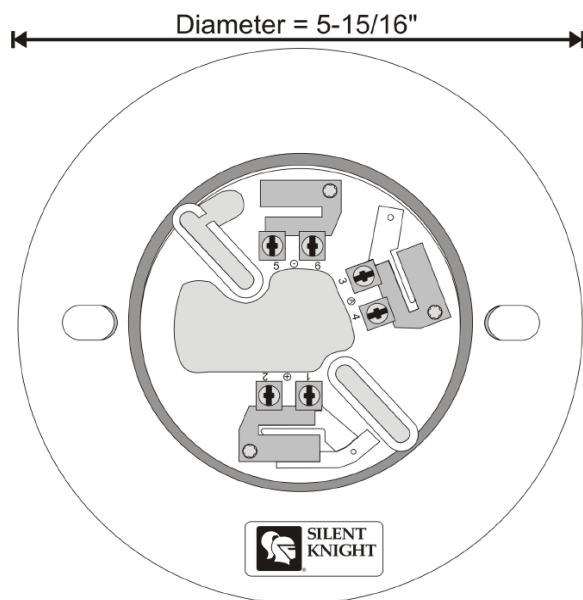
The contractor shall furnish and install where indicated on the plans, addressable heat detector Silent Knight SD505-HEAT. The combination detector head, and twist-lock base, shall be UL® listed compatible with Silent Knight's IntelliKnight fire alarm control panels.

The base shall permit direct interchange with Silent SD505-PHOTO Photoelectric Smoke Detector. Base shall be the appropriate twist-lock base SD505-6AB.

The heat detector shall have a flashing status LED for visual supervision. When the detector is actuated, the flashing LED will latch on steady at full brilliance. The detector may be reset by actuating the control panel reset switch.

The vandal-resistant, security locking feature shall be used in those areas as indicated on the drawing. The locking feature shall be field removable when not required.

Voltage and RF/transient suppression techniques shall be employed to minimize false alarm potential.



Model SD505-6AB Detector Base
(Front View)

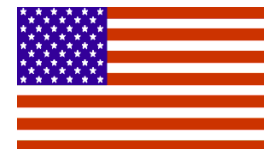


Height = 2 inches,
including base

Model SD505-HEAT Detector Head
(Front View)



This document is not intended to be used for installation purposes. We try to keep our product information up-to-date and accurate. We cannot cover all specific applications or anticipate all requirements. All specifications are subject to change without notice. For more information, contact Silent Knight 12 Clintonville Road, Northford, CT 06472-1610 Phone: (800) 328-0103, Fax: (203) 484-7118. For Technical Support, Please call 800-446-6444.
www.silentknight.com



Assembled in America