

SK-Control



Intelligent Notification Module

The SK-Control gives you the flexibility to add notification circuits wherever they are needed on an IntelliKnight FACP signaling line circuit (SLC) loop.

For more information about the IntelliKnight system, or to locate your nearest source, please call 1-800-328-0103 or in Connecticut, call (203) 484-7161.

Description

The SK-Control is an addressable notification module for use with Silent Knight IntelliKnight series fire alarm control panels (FACPs). The SK-Control provides supervised monitoring of wiring to load devices that require an external power supply to operate, such as bells, horns, and strobes. It is capable of Class B (Style Y) and Class A (Style Z) supervision.

Upon command from the FACP, the SK-Control will disconnect the supervision and connect the external power supply across the load device. The disconnection of the supervision provides a positive indication to the panel that the control relay actually turned on. The external power supply is always relay isolated from the SLC loop, so that a trouble condition on the power supply will never interfere with the rest of the system.

Features

- Flexible solution for adding notification circuits where needed
- Support for Class B (style Y) or Class A (style Z) wiring
- Panel controlled status LED that flashes green in normal state and is solid red in alarm
- Polling LED visible through the cover plate
- Attractive ivory cover plate
- Rotary address switches for fast installation
- SEMS screws for easy wiring
- UL Listed



SK-Control

Installation

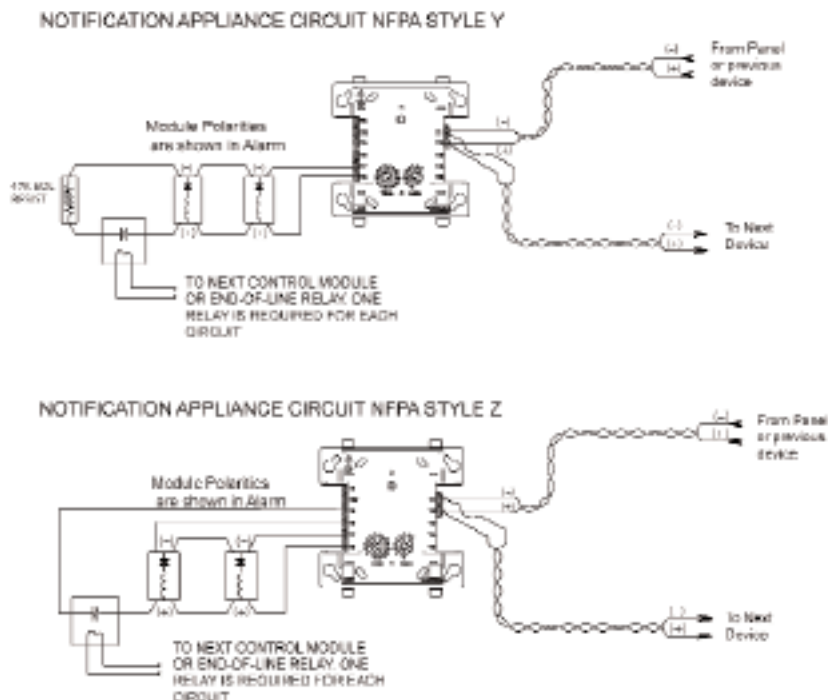
The SK-Control mounts directly into a 4" square electrical box. The box must have a minimum depth of 2-1/8". A surface mount electrical box (System Sensor® PN SMB500) is available from Silent Knight.

Compatibility

The Control is compatible with the following IntelliKnight FACP's:

5700
5808
5820XL

Model SK-Control



Specifications

Physical

Height: 4.5" (11.4 cm)

Width: 4" (10.2 cm)

Depth: 1.3" (3.2 cm)

Shipping Weight: 6.3 oz (196 g)

Environmental

Operating Temperature: 32°F – 120°F (0°C – 49°C)

Humidity: 10% – 93% non-condensing

Electrical

Operating Voltage: 15 – 32 VDC

Current Draw: 6.5 mA max (LED on)

Operating Current: 375 μ A average (LED flashing)

Drain on External Power Supply: 1.7 mA max (using internal EOL relay)

End-of-Line Resistance: 47K Ω

Standby Current

400 μ A max @ 24 VDC (one communication every 5 sec with 47K EOL)

550 μ A max @ 24 VDC (one communication every 5 sec with EOL <1K)

LED Current: 5.5 mA (with LED latched on)

SLC Loop Resistance: 40 Ω max.

Accessories

SMB500



This document is not intended to be used for installation purposes. We try to keep our product information up-to-date and accurate. We cannot cover all specific applications or anticipate all requirements. All specifications are subject to change without notice. For more information, contact Silent Knight 12 Clintonville Road, Northford, CT 06472-1610 Phone: (800) 328-0103, Fax: (203)484-7118. www.silentknight.com

MADE IN AMERICA

FORM# 350125 Rev A
© 2009 Honeywell International Inc.