

SK-ISO

Intelligent Fault Isolator Module

The SK-ISO Isolator Module enable part of a communication loop to continue operating when a short circuit occurs on it. If a short occurs between any two isolators, then both isolators immediately switch to an open circuit state and isolate the device between them.

For more information about the Intelliknight system, or to locate you nearest source, please call 800-328-0103 or in Connecticut, call (203) 484-7161.

Description

The SK-ISO is an addressable line isolator module for use with Silent Knight IntelliKnight series fire alarm control panels (FACPs).

The SK-ISO acts as an automatic switch that opens when the line voltage on the signaling line circuit (SLC) loop drops below four volts. Isolator modules should be spaced between groups of sensors or modules in a loop to protect the rest of the loop. If a short occurs between any two isolators, then both isolators immediately switch to an open circuit state and isolate the devices between them. The remaining units on the SLC loop continue to fully operate. No more than 25 devices are recommended for each group.



SK-ISO

Features

- Panel controlled status LED that flashes green in normal state and is solid red in alarm
- Isolates short circuits on an SLC loop
- Protects the modules on the SLC loop so other devices continue to operate
- Standard 4 inch electrical box mounting
- SEMS screws for easy wiring
- UL Listed

Installation

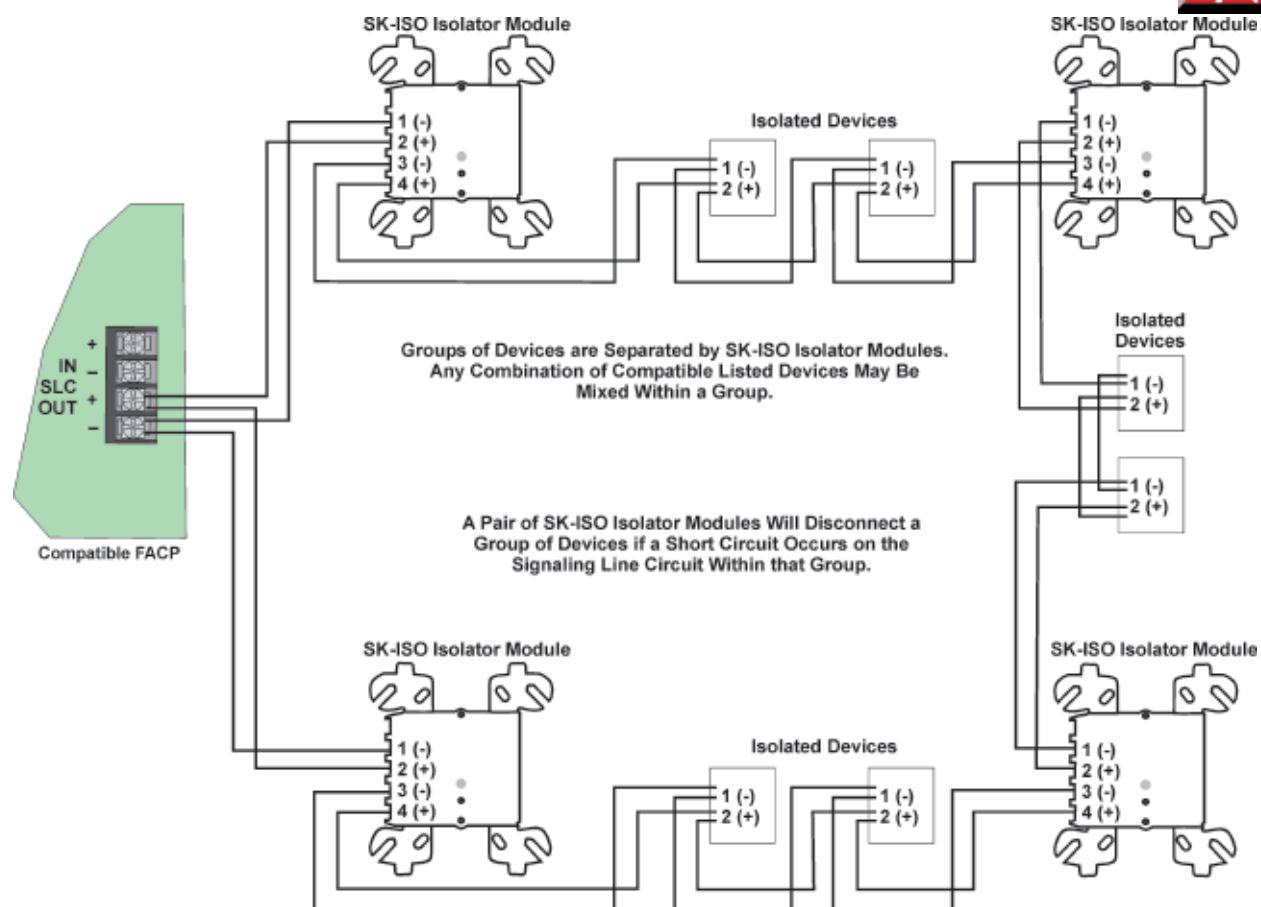
The SK-ISO mounts directly into a 4" square electrical box. The box must have a minimum depth of 2-1/8". A surface mount electrical box (System Sensor® PN SMB500) is available from Silent Knight.

Compatibility

The SK-ISO is compatible with the following IntelliKnight FACP's:

5700
5808
5820XL

Model SK-ISO



Wiring SK-ISO Modules

Specifications

Physical

Height: 4.5" (11.4 cm)

Width: 4" (10.2 cm)

Depth: 0.25" (0.6 cm)

Shipping Weight: 6.3 oz (196 g)

Electrical

Operating Voltage: 15 – 32 VDC

Standby Current: 450 μ A max (not isolating; relay closed)

Isolation Current: 5 mA max

Fault Detection Delay: 250 ms min.

Fault Detection Threshold: 4V

Line Restoration Threshold: 7V

Environmental

Operating Temperature: 32°F – 120°F (0°C – 49°C)

Humidity: 10% – 93% non-condensing

Accessories

SMB500

4" Square Surface Mount Electrical Box



This document is not intended to be used for installation purposes. We try to keep our product information up-to-date and accurate. We cannot cover all specific applications or anticipate all requirements. All specifications are subject to change without notice. For more information, contact Silent Knight 12 Clintonville Road, Northford, CT 06472-1610 Phone: (800) 328-0103, Fax: (203)484-7118. www.silentknight.com

MADE IN AMERICA

FORM# 350134 Rev A
© 2009 Honeywell International Inc.