

SK-Monitor-2



Intelligent Dual Monitor Module

The SK-Monitor-2 module is capable of monitoring two separate Class B circuits simultaneously, making it ideal for waterflow tamper switch and flow switch monitoring.

For more information about the IntelliKnight system, or to locate your nearest source, please call 1-800-328-0103 or in Connecticut (203) 484-7161.

Description

The SK-Monitor-2 is an addressable monitor module with two initiating circuits for use with Silent Knight Intelliknight series fire alarm control panels (FACPs). The SK-Monitor-2 acts as an interface to contact devices, such as waterflow switches and pull stations.

The SK-Monitor-2 supports Class B supervised wiring to the load device. Conventional 4-wire smoke detectors can be monitored for alarm and trouble conditions.

Features

- Monitor two circuits, with unique addresses, simultaneously
- Support for Class B wiring
- Fully supervised
- Panel controlled status LED that flashes green in normal state and is solid red in alarm
- Attractive ivory cover plate
- Rotary address switches for fast installation
- SEMS screws for easy wiring
- UL Listed

Installation

SK-Monitor-2 mounts directly into a 4" square electrical box. The box must have a minimum depth of 2-1/8". A surface mount electrical box (System Sensor® part number SMB500) is available from Silent Knight.



SK-Monitor-2

Compatibility

The SK-Monitor-2 is compatible with the following IntelliKnight FACP's:

5700
5808
5820XL

Specifications

Physical

Height: 4.5" H x 4" W x 1.25" D
Shipping Weight: 6.3 oz (196 g)

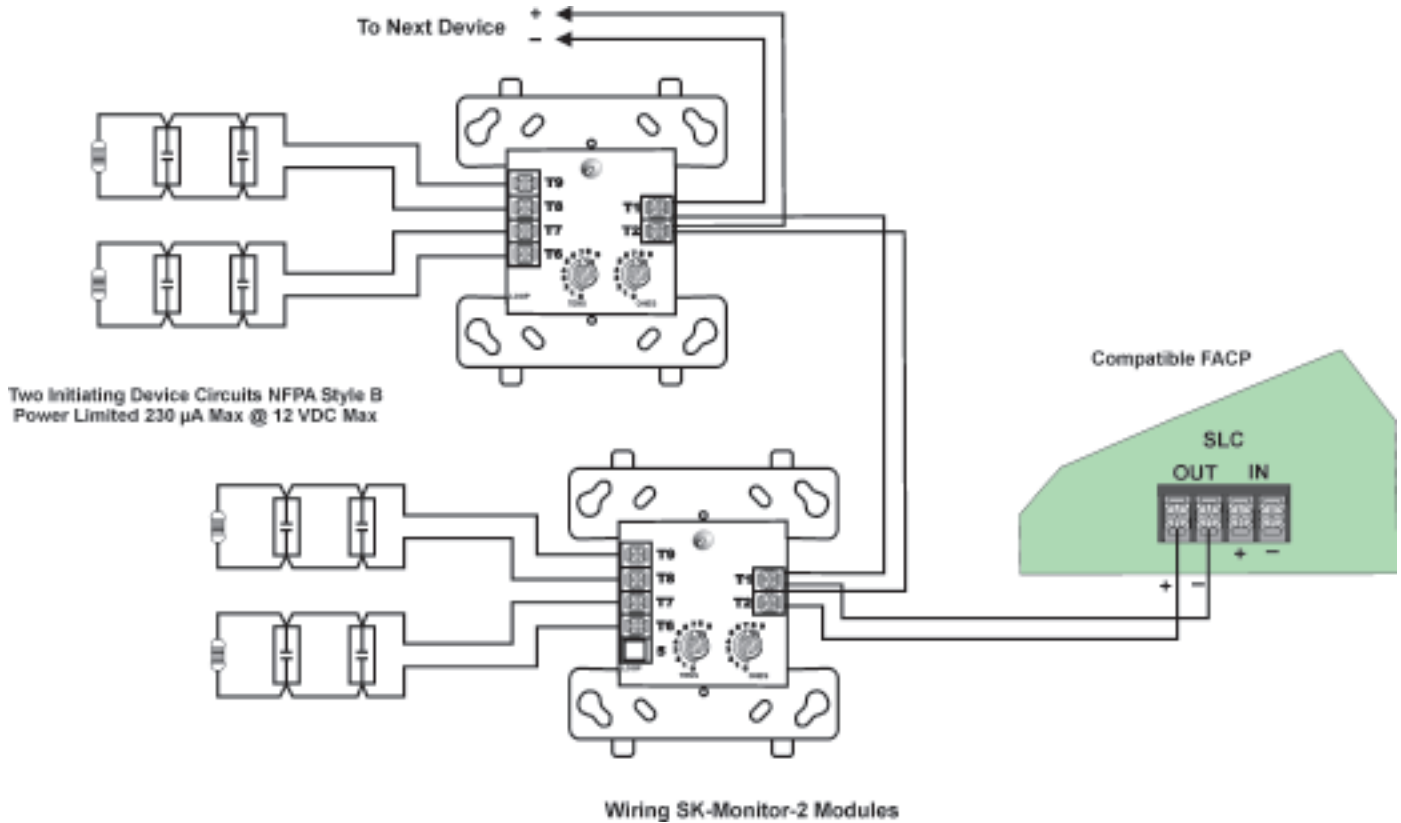
Electrical

Operating Voltage: 15 – 32 VDC
Current Draw (LED on): 6.4 mA max
Operating Current (LED flashing): 750 μ A
End-of-Line Resistance: 47K Ω
Max IDC wiring resistance: 1,500 Ω
SLC Line Loop Resistance: 40 Ω max.

Environmental

Operating Temperature: 32°F – 120°F (0°C – 49°C)
Humidity: 10% – 93% non-condensing

Model SK-Monitor-2



Accessories

SMB500 4" Square Surface Mount Electrical Box



This document is not intended to be used for installation purposes. We try to keep our product information up-to-date and accurate. We cannot cover all specific applications or anticipate all requirements. All specifications are subject to change without notice. For more information, contact Silent Knight 12 Clintonville Road, Northford, CT 06472-1610 Phone: (800) 328-0103, Fax: (203)484-7118. www.silentknight.com

MADE IN AMERICA

FORM# 350124 Rev A
© 2009 Honeywell International Inc.