

SK-Monitor



Intelligent Monitor Module

The SK-Monitor module provides an interface to contact devices, such as security contacts, waterflow switches, or pull stations.

For more information about the IntelliKnight system, or to locate your nearest source, please call 1-800-328-0103 or in Connecticut, call (203) 484-7161.

Description

The SK-Monitor is an addressable monitor module for use with Silent Knight IntelliKnight series fire alarm control panels (FACPs). The SK-Monitor is intended for use in intelligent, two-wire systems, where individual address of each module is selected using the built-in rotary switches.

The SK-Monitor supports Class A supervised or Class B supervised wiring to the load device. Conventional 4-wire smoke detectors can be monitored for alarm and trouble conditions.

Features

- Single contact monitor
- Support for Class A and Class B wiring
- Fully supervised
- Panel controlled status LED that flashes green in normal state and is solid red in alarm
- Attractive ivory cover plate
- Rotary address switches for fast installation
- SEMS screws for easy wiring
- UL Listed

Installation

The SK-Monitor mounts directly into a 4" square electrical box. The box must have a minimum depth of 2-1/8". A surface mount electrical box (System Sensor® PN SMB500) is available from Silent Knight.



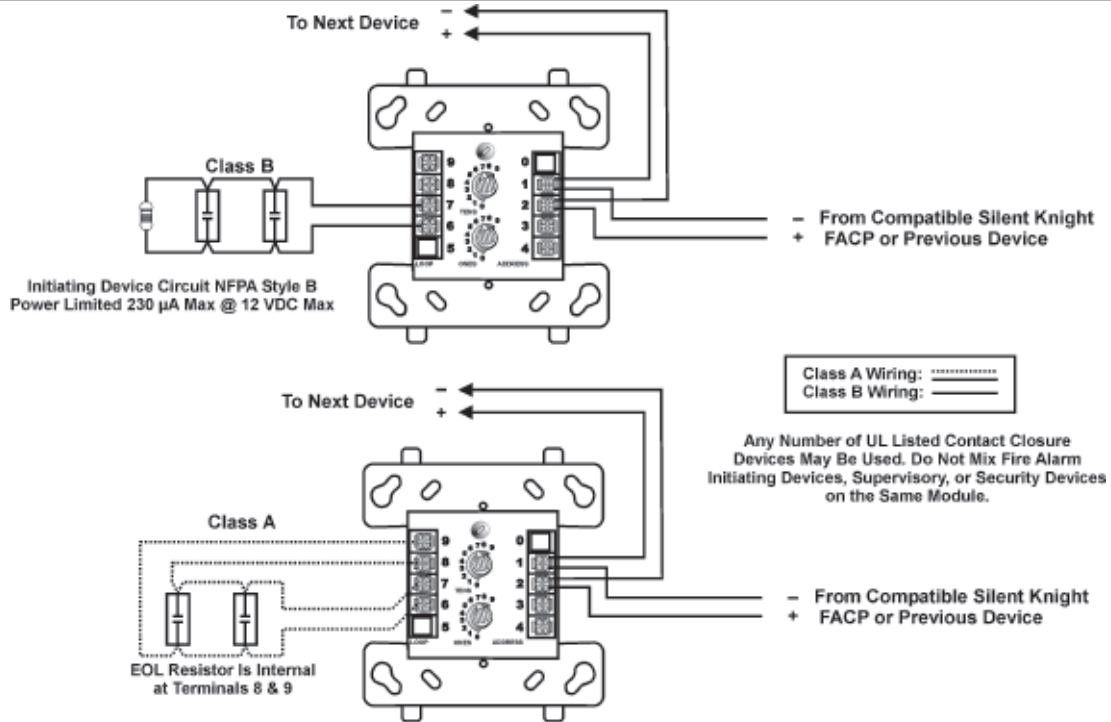
SK-Monitor

Compatibility

The SK-Monitor is compatible with the following IntelliKnight FACP's:

5700
5808
5820XL

Model SK-Monitor



Wiring SK-Monitor Modules

Specifications

Physical

Height: 4.5" (11.4 cm)

Width: 4" (10.2 cm)

Depth: 1.25" (3 cm)

Shipping Weight: 6.3 oz (196 g)

Electrical

Operating Voltage: 15 – 32 VDC

Current Draw (LED on): 5.0 mA max

Operating Current (LED flashing): 375 μ A

Standby Current:

400 μ A max @ 24 VDC (one communication every 5 sec with 47K EOL)

550 μ A max @ 24 VDC (one communication every 5 sec with EOL <1K)

5.5 mA (with LED latched on)

LED Current: 5.5 mA (with LED latched on)
End-of-Line Resistance: 47K

Initiating Device Circuit Wiring Resistance: 1,500 max

SLC Loop Resistance: 40 max.

Environmental

Operating Temperature: 32°F – 120°F (0°C – 49°C)

Humidity: 10% – 93% non-condensing

Ordering Information

SK-Monitor Monitoring Module

Accessories

SMB500 4" Square Surface Mount Electrical Box



This document is not intended to be used for installation purposes. We try to keep our product information up-to-date and accurate. We cannot cover all specific applications or anticipate all requirements. All specifications are subject to change without notice. For more information, contact Silent Knight 12 Clintonville Road, Northford, CT 06472-1610 Phone: (800) 328-0103, Fax: (203)484-7118. www.silentknight.com

MADE IN AMERICA

FORM# 350131 Rev A
© 2009 Honeywell International Inc.