

40/40 Model Definition Guide

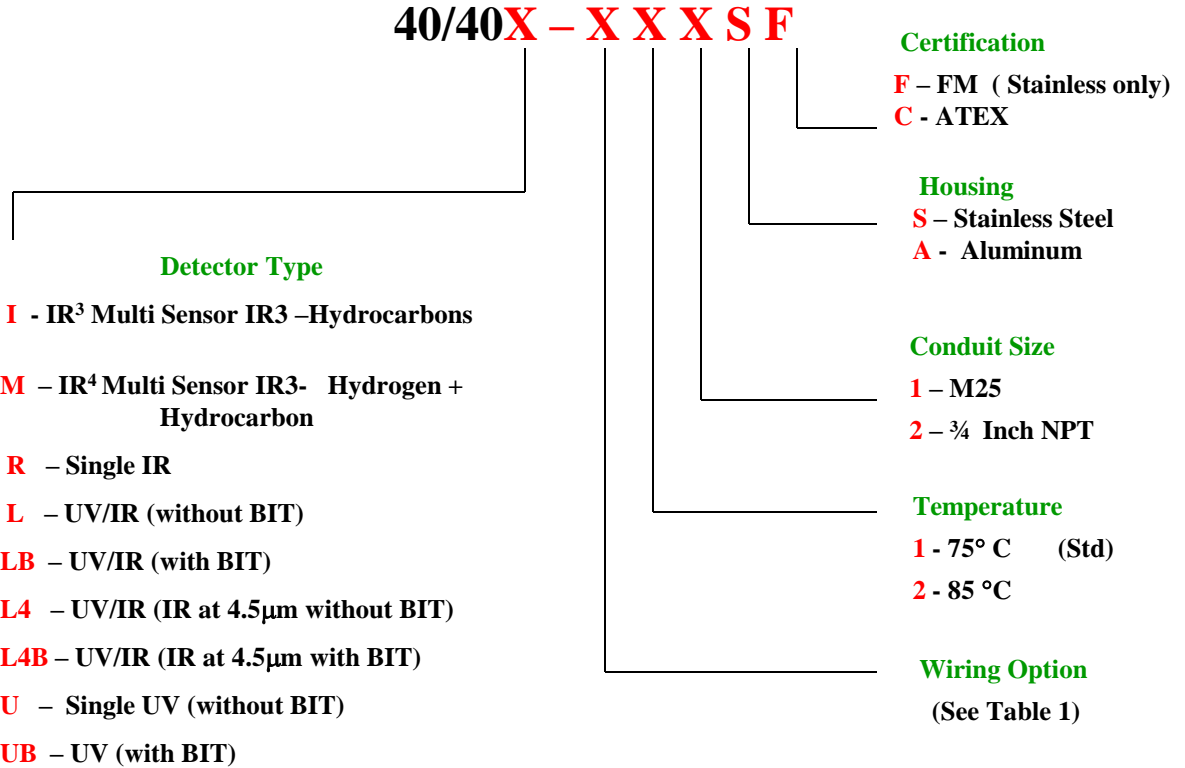


Table 1
Wiring Option

	<u>485</u>	<u>HART</u>	<u>4-20mA</u>	<u>Fault*</u>	<u>ACC</u>	<u>Alarm</u>
1 (default)	✓	---	Sink (3 wire Sourcing w/ Jumper)	NC	---	NO
2	✓	✓	Source	NC	---	NO, NC
3	✓	✓	Source	NO	---	NO, NC
4	✓	---	---	NC	NO	NO
5	✓	---	---	NO	NO	NO

*Status of Fault Relay After Successful Start up.