

STI SERIES 2000 STOPPER® STATIONS

Standard and Custom, ADA Compliant, Low/High Voltage Switches

These ADA Compliant, multipurpose push-button switches cover a wide range of applications both indoors and outdoors. They're called Stopper Stations. They incorporate a unique, patented design that helps dramatically to stop accidental activation. A number of standard models are available or we can create custom units to meet your needs exactly. You have your choice of any of five universal colors identifying switch usage, wording and language.

They Work as Great as They Look

Because of their superior, patented design combined with quality construction throughout, you can expect outstanding performance for years to come. In fact, many STI customers are surprised to find that all this quality is available at no increase in price. Plus, customers appreciate the option to protect the switches with STI protective covers that carry a lifetime guarantee against breakage in normal use, one year on electronics. For indoor applications, you can order your Stopper Station with a pre-alarm cover to help stop malicious and accidental activation.



SS-2004



SS-2208



SS-2400



SS-2107X



SS-2301



SS-2403E

Features

- Unique, curved design helps protect against accidental activation.
- 5VA flammability rating on backplate and spacer.
- Station housing molded of super tough polycarbonate.
- Your choice of colors—red, green, yellow, white or blue (red Key-to-Reset buttons "0" and "2" - Step 3 on page 4 - can only read "FIRE" per UL Listing, SS-2000F and SS-2002F models).
- UL Listed to U.S. and Canadian safety standards (excludes "6" button).
- Raised standard or custom vinyl labeling.
- Polycarbonate rated -40°F to 120°F (-40°C to 49°C).
- Polycarbonate complies with FDA regulations for food contact applications.
- Buttons with Mini Weather Stopper® cover are outdoor rated and listed by UL to NEMA 3R standards when mounted on a smooth surface or with STI-6581.
- Wording in virtually any language.
- Push buttons are ADA Compliant (excludes "3" button).
- Lifetime guarantee against breakage of polycarbonate cover with normal use (one year on electronics).
- Stainless steel backplate.



Safety Technology International, Inc.

2306 Airport Road • Waterford, Michigan 48327-1209

Phone: 248-673-9898 • Fax: 248-673-1246 • Toll Free: 800-888-4784 • E-mail: info@sti-usa.com • Web: www.sti-usa.com

Europe Branch Office • Unit 49G Pipers Road • Park Farm Industrial Estate • Redditch • Worcestershire • B98 0HU • England

Tel: 44 (0) 1527 520 999 • Fax: 44 (0) 1527 501 999 • Freephone: 0800 085 1678 (UK only) • E-mail: info@sti-europe.com • Web: www.sti-europe.com

SERIES 2000 STOPPER® STATIONS

Covers to protect your STI Stopper Station from damage or weather and to help stop malicious or accidental activation.

Mini Stopper® II

This smaller cousin of the famed Stopper® II helps stop false fire alarms and can protect your Stopper Station against damage indoors as well as malicious or accidental activation. It consists of a tamperproof, clear polycarbonate shield that fits easily over any STI Stopper Station model. When it is lifted to gain access to the Stopper Station, it sounds a piercing 105 dB warning horn. Legitimate activation is not affected. The protective cover is available with or without the optional horn. The virtually indestructible cover comes with a lifetime warranty in normal use. Custom labeling is available.



SS-2147X

Bopper Stopper®

Now you can protect your indoor Stopper Station from vandalism or accidental activation with the STI Bopper Stopper. Both this protective cover and its hinges are molded of tough polycarbonate material so you know it will take hard knocks in stride. To help prevent corrosion, the hinge spring is formed from stainless steel. The combination of Stopper Station with a Bopper Stopper protective cover is for indoor use only.



SS-2010F

Note: See separate spec sheet for complete cover details.

***Note:** No labeling can be placed on the Bopper Stopper cover. Need to order 102721 Adaptor Plate when Stopper Station spacer SUB-102722-COLOR is mounted under button. See separate spec sheet for complete cover details.

Mini Weather Stopper®

This tough cover, without a built-in alarm, is used to protect any STI Stopper Station from damage or the weather in outdoor use or indoor harsh environments. It is a less costly choice where malicious or false activation is not a problem. STI Mini Weather Stopper is ideal for environments such as those on oceangoing ships, oil rigs, beachfront condos, car washes or any area subjected to saltwater conditions. It is available in any of four colors for both flush and surface mount installations. Weather gaskets are included. Tested to NEMA 3R standards.



SS-2460E

Note: See separate spec sheet for complete cover details.

Other Covers Available (Mini series available in Red, Blue, Green or Yellow)

- STI-6600** Mini Stopper II with horn - flush mount
 - STI-6605** Mini Stopper II with horn and spacer
 - STI-6525** Mini Weather Stopper - flush mount
 - STI-6535** Mini Weather Stopper with spacer - clear
 - STI-6540** Mini Stopper II without horn - flush mount
 - STI-6545** Mini Stopper II without horn, with spacer
 - STI-6515** Stopper® Seal Tamper resistant accessory for Mini Stopper II
 - STI-6518** Bopper Stopper with spring loaded hinge - clear
- Please note that it is mandated by UL that UL Listed Stopper Stations be protected with an STI Mini Weather Stopper when used outdoors.

UNIQUE BUTTON FEATURES

Models SS-2000F (FIRE)

- Standard switch includes two N.O. SPST gold plated contact blocks rated for 1 amp @ 250 VDC. Holds up to three sets of isolated contacts either N.O. or N.C.

Models SS-2*00, SS-2*01, SS-2*03, SS-2*04

- Interchangeable or replaceable N.O. or N.C., SPST gold-plated contact blocks rated for 3 amps @ 600 VAC or 1 amp @ 250 VDC (no backbox available).
- Standard switch includes one N.O. and one N.C. contact. Holds up to three sets of isolated contacts.
- To increase depth to an existing standard single gang box (for contact clearance) use the STI-102722-color which adds 5/8" to box depth.

Model SS-2002F (Fire)

- Includes two Form "C" contacts rated at 7A @125/250 VAC.

Model SS-2*02, SS-2*05, SS-2*09

- 2 sets of Form "C" contacts rated at 10 amp @ 125/250 VAC, 1/2 HP 30 VDC, 6A.
- Backbox included when ordering with cover options: 0, 6, 7 or 8.

Model SS-2*07

- Illuminated button rated at 125 VAC/250 VAC 10 amps (no backbox available). 28 volt incandescent lamp included.

***NOTE:** Second digit designates color (see page 4).

Model SS-2*06 (Not UL Listed)

- One N.O. contact, SPST, 24 VAC/DC 0.2A.
- Backbox included when ordering with cover options: 0, 6, 7 or 8.
- Sealed metal surface is virtually indestructible, vandal proof and easy to clean.
- No moving parts. Long life expectancy, no amortization.
- Life cycles over 50 million.
- Actuation force typically 3 - 5 N (8-11 oz.).
- External push force activates a Piezo element which releases voltage utilized for switching.
- Suitable for harsh environments: water and dust proof for indoor and outdoor use.

Model SS-2*08

- Switch rating 10 amp. (resistive) 240 VAC and has a timer range: 2 - 60 seconds ($\pm 15\%$).
- Temperature range of button 15°F to 120° F (-9°C to +49°C).
- Timer life of over 1,000,000 operations.
- Backbox included when ordering with cover options: 0, 6, 7 or 8.
- Pneumatic adjustable timer opens or closes a circuit and has a timed delay before reset. No electricity to operate.
- Ideal for security applications.
- Two sets of isolated contacts, 1 N.O. and 1 N.C.

STI SERIES 2000 STOPPER® STATIONS

Dimensions and Technical Information

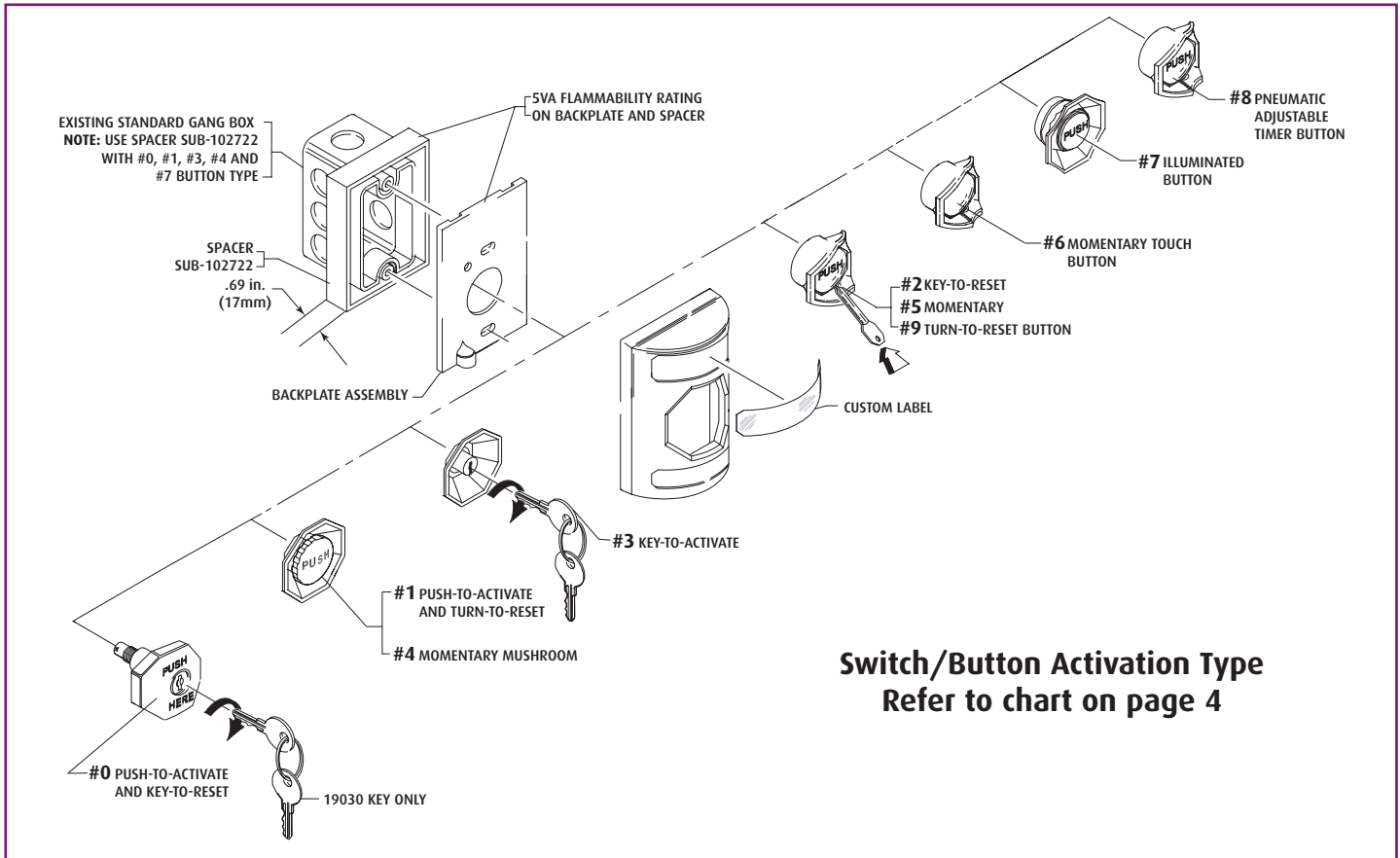
Testing Approvals

It has been tested and approved or listed by:

- Underwriter Laboratories No. S7255 (excludes "6" button)
- Canadian Underwriter Laboratories No. S7255 (excludes "6" button)
- ADA Compliant (excludes "3" button)

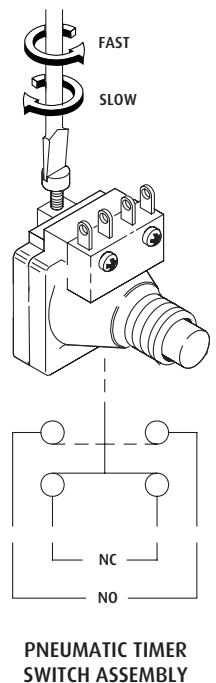
Note

Momentary Touch Button, Number 6, is not UL or cUL Listed.



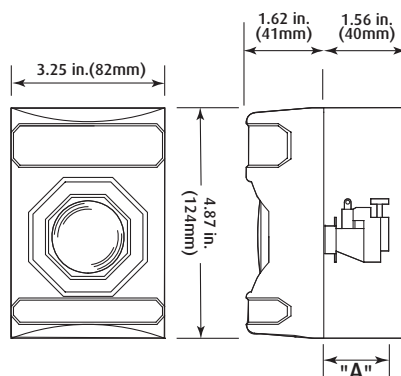
Accessories

SUB-102722-Color	Plastic Spacer - Red, Green, Yellow, White and Blue for 0, 1, 3, 4 and 7 button type
19030	One Extra Key for 0 button type
18061	One Extra Key for 2 button type
10196	N.O. contact for 0, 1, 3 or 4 button type
10197H	Contact holder for 0, 1, 3, and 4 button type
10198	N.C. contact for 0, 1, 3 or 4 button type
SUB-71100A-Color	Backbox - Red, Green, Yellow, White and Blue for 2, 5, 6, 8 and 9 button type
SUB-71101A-Color	Backbox and Spacer Kit for 0, 1, 4 and 7 button type



"A" - Contact Depth	
SS-2*00	2.25"
SS-2*01	2.25"
SS-2*02	1.25"
SS-2*03	2.25"
SS-2*04	2.25"
SS-2*05	1.25"
SS-2*06	0"
SS-2*07	1.5"
SS-2*08	1.4"
SS-2*09	1.25"

* NOTE: Second digit designates color (see page 4)



TO PROVIDE ADEQUATE CLEARANCE FOR CONTACTS, (#0, #1, #3, #4) INSTALLATION MAY REQUIRE: SUB-102722-COLOR SPACER

How To Order Stopper® Stations

Determine Part Number

Determine numbers from steps 1-4 and fill out the part number steps to the right.

Your Stopper Station
Part Number:

STEP 1	STEP 2	STEP 3	STEP 4

Part Number **SS-2**

Choose Shell Color

STEP 1

- 0** Red
- 1** Green
- 2** Yellow
- 3** White
- 4** Blue



Choose Protective Cover

STEP 2

- 0** No Cover
- 1** Bopper Stopper® Cover (no alarm)*
- 3** Mini Stopper® II Cover Without Horn
- 4** Mini Stopper II Cover With Horn
- 5** Mini Weather Stopper® Cover
- 6** Mini Weather Stopper Cover With Spacer
- 7** Mini Stopper II Cover Without Horn With Spacer
- 8** Mini Stopper II Cover With Horn With Spacer

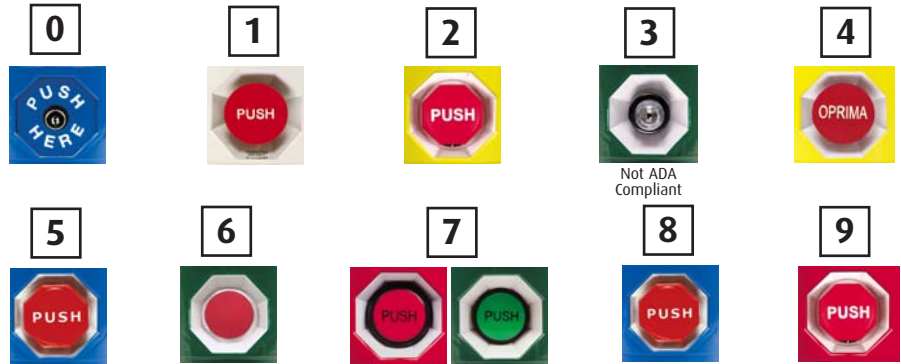


*For surface mount applications the 102721 Adaptor plate may be required if backbox is less than 2 1/2" deep. No labeling can be placed on Bopper Stopper cover.

Choose Type of Button/Switch Activation

STEP 3

- 0** Octagonal Button (Push-to-Activate, Key-to-Reset)
- 1** Push and Turn-to-Reset
- 2** Push and Key-to-Reset Octagon Button
- 3** Key-to-Activate
- 4** Momentary Mushroom
- 5** Momentary Mushroom Octagon Button
- 6** Momentary Touch Button (no UL Listing)
- 7** Illuminated Mushroom (red or green)
Note: Green housing has green illuminated button. All others have red illuminated button.
- 8** Pneumatic Adjustable Timer Button
- 9** Push, Turn-to-Reset Octagon Button



NOTE: Buttons 0, 1, 3, 4 may require spacer SUB-102722 (color) to accommodate depth or a deep single-gang box.

Raised Molded Standard Message

The following messages are available only on color indicated. All colors can be custom labeled to your specifications. (See box at right.)

STEP 4

MESSAGE	AVAILABLE ON
F "FIRE"	Red Shell
E "EMERGENCY"	Red Shell
PS "FUEL PUMP SHUTDOWN"	Red Shell
X "EXIT"	Green Shell
EX "EMERGENCY EXIT"	Green Shell
E "EMERGENCY"	Blue Shell
EX "EMERGENCY EXIT"	Blue Shell
PS "FUEL PUMP SHUTDOWN"	Yellow Shell
N No Label	All Shells
C Custom Label (fill in box to the right)	All Shells and Covers 3-8

CUSTOM LABEL FOR SHELL: 2 LINES / 10 CHARACTERS EACH (INCLUDES SPACES)

LINE 1									
LINE 2									

CUSTOM LABEL FOR COVER: 2 LINES / 20 CHARACTERS EACH (INCLUDES SPACES)

There is an additional charge for custom labels. Labeling on bottom of station available in volume quantities only.

Note: No labeling can be placed on the Bopper Stopper cover. Per UL Listing, the following models are available with "FIRE" label only: SS-2000, SS-2010, SS-2030, SS-2040, SS-2050, SS-2060, SS-2070, SS-2080, SS-2002, SS-2012, SS-2032, SS-2042, SS-2052, SS-2062, SS-2072 and SS-2082.

Contact Us

STEP 5

Please call STI toll free or your local distributor after completing the worksheet to order the Stopper Station that is right for your needs.

800-888-4STI (4784)