

**SPS-200ID SERIES**  
**Intelligent Addressable**  
**Manual Stations**



SPS-201ID  
Intelligent Addressable  
Single Action Manual Station

SPS-202ID  
Intelligent Addressable  
Dual Action Manual Station

**Features**

- Single or Dual Action
- Key resettable
- Permanently Attached Intelligent Addressable Module
- High-gloss red enamel finish
- Plastic breakrod
- Meets ADA 5 lb. maximum manual-force
- Mounts on standard single gang box, Summit's SBB-200 surface metal backbox or SBB-200WP weather proof backbox

**Description**

Summit's SPS-200ID Series provide manual fire reporting. These high quality, die-cast metal Intelligent Fire Alarm Manual Stations are available in either single or dual action configurations with a permanently attached addressable module.

The SPS-200ID Series stations are available as single or dual-action devices with key resets and a permanently attached addressable module. The addressable manual station has DIP switches which allow for address setting. Pulling the handle initiates the operation of the addressable module.

All models are available with CAT-30 keys and mount on a standard single gang backbox, Summit model SBB-200 interior surface metal backbox, or SBB-200WP weather proof backbox.

**Operation**

The SPS-201ID Single Action Intelligent Manual Station is operated by pulling down the handle marked "PULL HANDLE" on the front of the station. The SPS-202ID Dual Action Intelligent Manual Station is operated by pushing the bar labelled "PUSH BAR" and then pulling down the handle marked "PULL HANDLE".

The SPS-200ID Series Manual Stations are reset by opening the station with the key, placing the handle in the normal upright position and re-locking the station.

**Specifications**

The manual station shall be Summit's SPS-200ID Series. Operating instructions shall be in raised English lettering and the unit shall be constructed of high quality die-cast metal and finished in red enamel paint to provide quick identification. Pulling the handle shall initiate immediate operation of the intelligent addressable module.

All manual fire alarm stations shall be installed as per the specific requirements outlined in the UL codes, as well as all other applicable national or local codes. Final acceptance is subject to the local authority having jurisdiction.



7150-1665:103



S24086

## Specifications

**Switch Rating:**

1 Amp @ 30 VDC

0.1 Amp @ 125 VAC

**Manual Station Dimensions:**

4.9" H x 3.5" W x 2.0" D

**Color:**

Red with raised white letters, white Manual bar with raised red letters.

## Surface Mount Backboxes



**SBB-200 Surface Mount Backbox**

**Dimensions:**

5" H x 3.6" W x 2.0" D

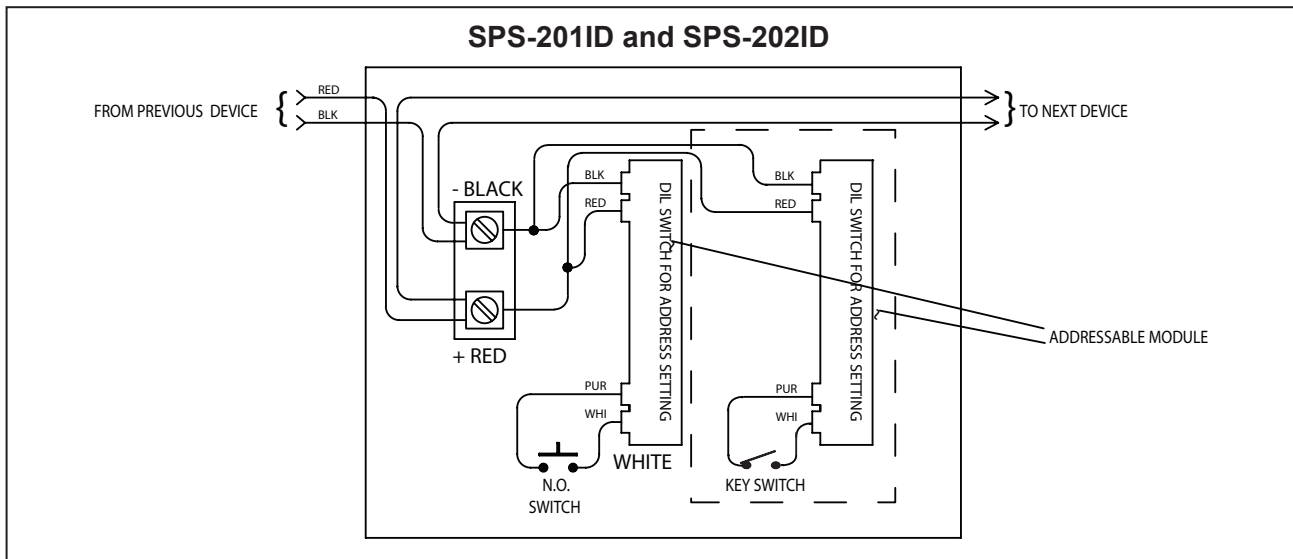


**SBB-200WP Weatherproof Surface Mount Backbox**

**Dimensions:**

5" H x 3.6" W x 2.2" D

## Typical Wiring Diagram



## Ordering Information

Model	Description
SPS-201ID	Intelligent Addressable Key Resettable Single Action Manual Station
SPS-202ID	Intelligent Addressable Key Resettable Dual Action Manual Station
SBB-200	Interior Surface Mount Backbox, Red Finish
SBB-200WP	Weatherproof Surface Mount Backbox, Red Finish